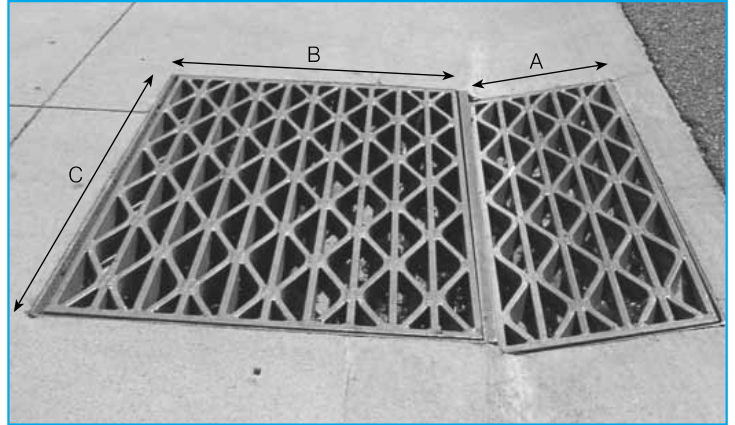
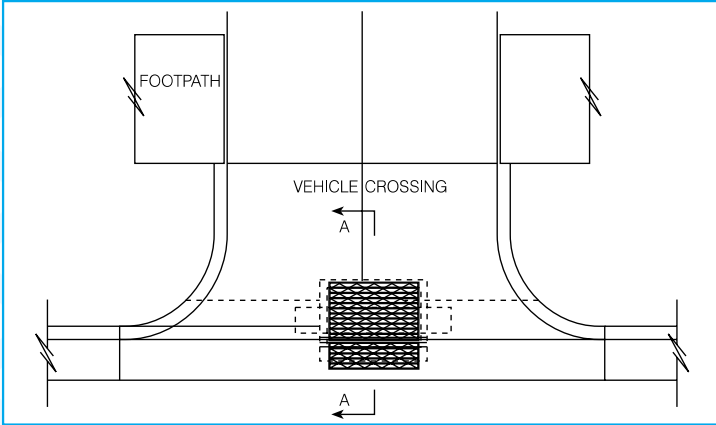


Converted Side Entry

Galvanized Mild Steel

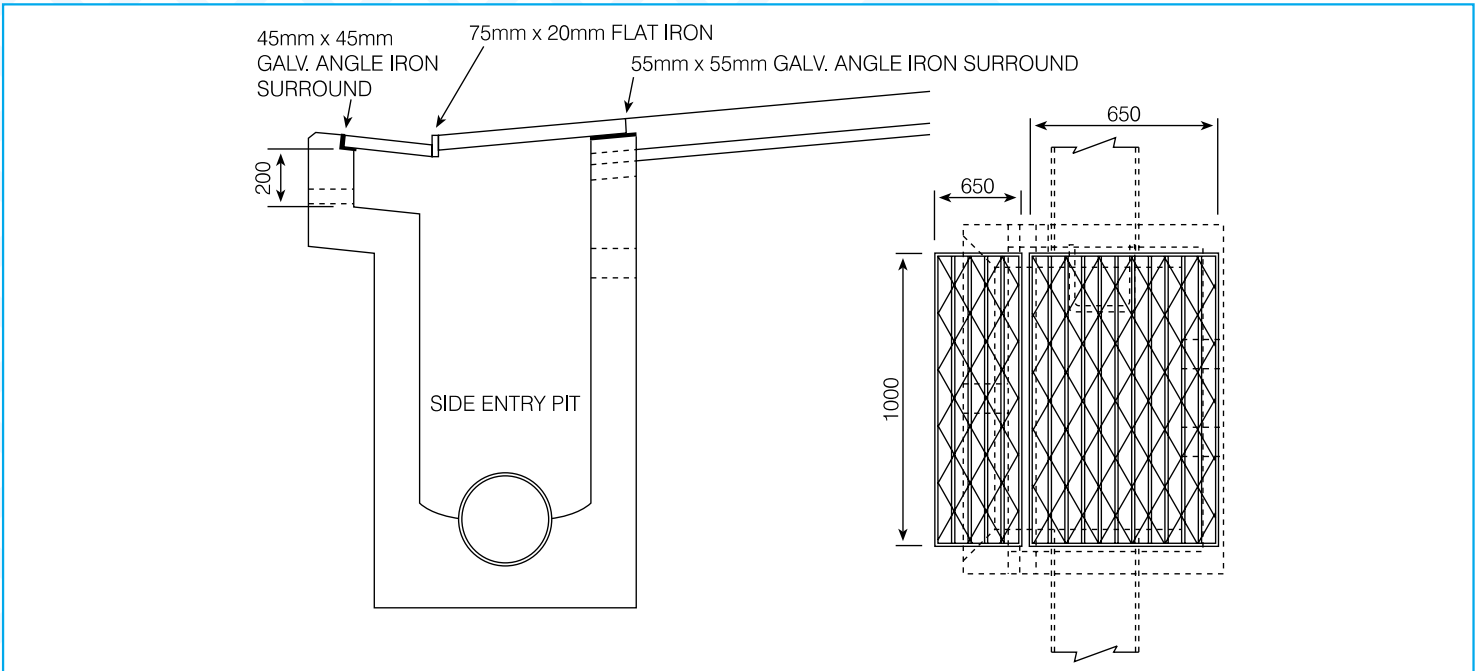
Proudly designed and developed by R&S Grating.

Application: Constructing a driveway over an existing side entry pit.



Code	AS 3996 Class Rating	A	B	C
CONWEAVED	C	300	650	1000

- **Weaved grate** or **checker plate** can be used as required.
- Adapts to suit 900 x 600mm (pit size) side entry.
- Other sizes available on request.



Two Styles Available

