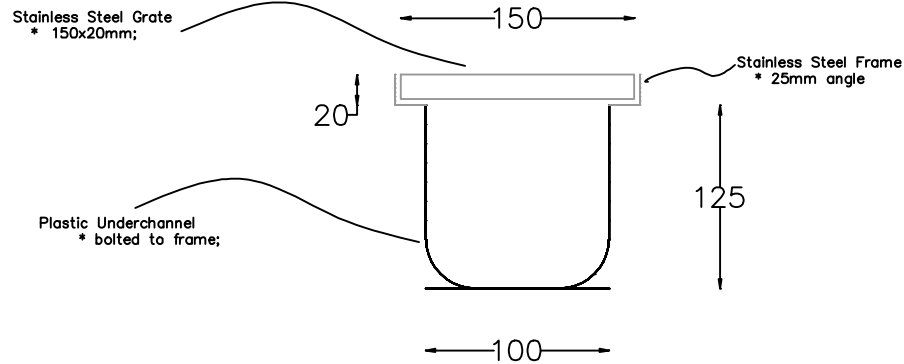
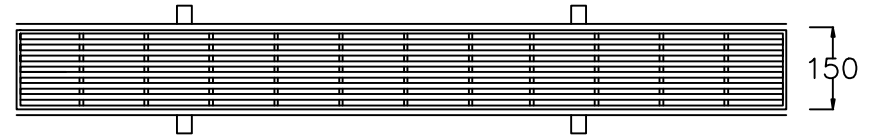


PUS2 – 100 C/O L/D Stainless Steel Trench Grate & Frame, w. Plastic Underchannel

Side View



Top View



Grate Detail

Width: 150mm
 Depth: 20mm

Channel Detail

Width (Clear Opening): 100mm
 Depth: 125mm

General Notes

- Heel Guard product;
- Made to length;

Grate Detail

Width: 150mm
 Depth: 20mm
 Length: 1000mm (per unit)

Frame Detail

Angle: 25mm stainless steel angle

DRAWING #	AUTHOR	SD PUS2 STAINLESS STEEL TRENCH W. P/U for LIGHT duty traffic.
SDPUS2	TH	
General Notes		
<ul style="list-style-type: none"> • All measurements are in mm. • Not to scale. 		
Attachments		



55 Southern Rd
 Mentone VIC 3194
 PH: (03) 9584 2027
 FAX: (03) 9583 2647
 Email: sales@grating.com.au