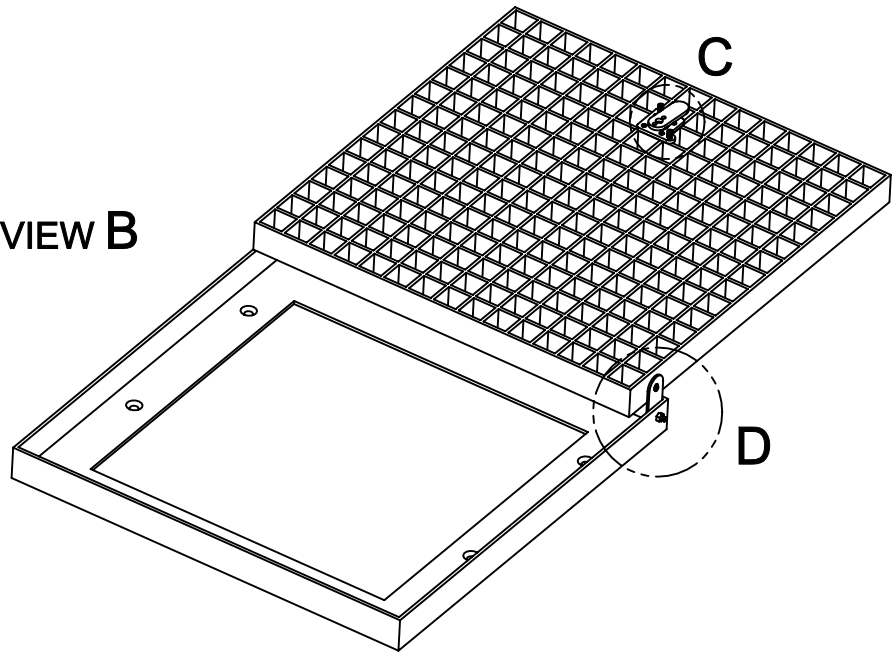


VIEW B



Product Notes

1. FRP Ecolites are load rated to Class B of AS3996 - 2006.
2. FRP Ecolites achieve an R13 Oil-Wet Ramp Slip Resistance, as defined in AS/NZS 4586 - 2004.
3. FRP Ecolite inserts are hinged, with >180° freedom of rotation.
4. The hinging mechanism allows the insert to sit on the ground behind the frame, giving full, unobstructed access to the pit.
5. The hinging mechanism, in combination with the lock, prevents the insert from moving in the event that the pit floods.
6. Total product weight, including frame, is 21.0 kg ± 0.2 kg.
7. Insert weight is 11kg.
8. Insert lifting weight, when installed and hinged, is approximately 8 kg.



COLOURS AVAILABLE  
\*Other colours available upon request.

N4.2: Removable protective plug.

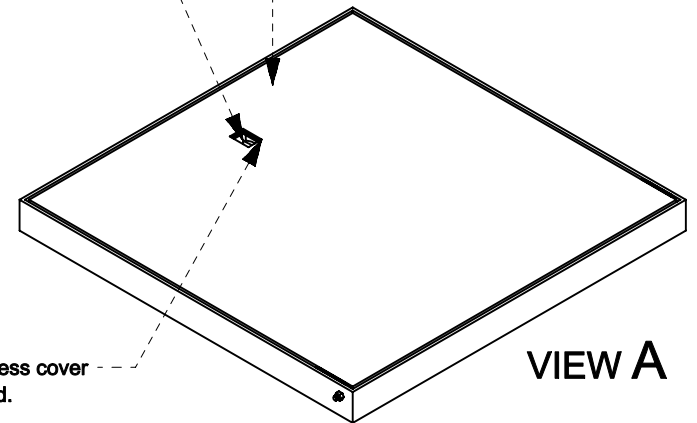
N4.1: Slip resistant to R13 (Slip Resistance Assessment Group) of AS/NZS 4586 - 2004.

N3.0: Stainless Steel 304 locking plate.

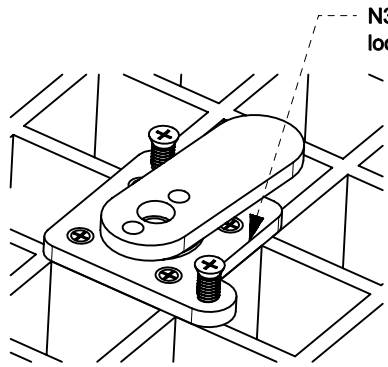
N2.0: Insert has >180° freedom of rotation.

N2.1: Hinge has 90° freedom of rotation.

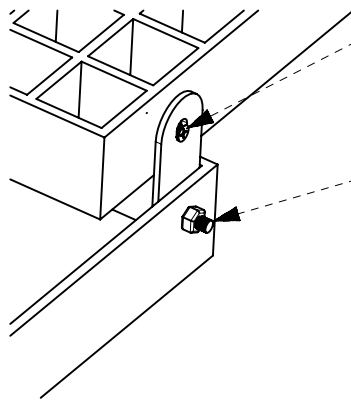
N4.0: Standard, existing gatic/access cover lifters can be used to unlock the lid.



VIEW A



DETAIL C



DETAIL D



ROAD SAFETY GRATING  
13 HEALEY RD  
DANDENONG SOUTH, VIC 3175  
PH: (03) 9238 5888  
FAX: (03) 9238 5800  
EMAIL: sales@grating.com.au  
WEB: www.grating.com.au

Attachments

a	
b	
c	
d	
e	
f	
g	

Disclaimer

Drawings are provided in good faith and for use by the intended recipient only. Drawings remain the property of Straightmark Nominees Pty Ltd T/A Road Safety Grating (R&S). If this drawing has been received in error, or you are not the intended recipient, please delete it immediately and notify Road Safety Grating. Drawings are not to be transferred to a third party without written consent from Road Safety Grating. Road Safety Grating accepts no liability for misuse of, or reliance on, this drawing. If in doubt about any details on the drawing, please contact Road Safety Grating.

Sheet Information

No.	Description
1	FRP Ecolite Overview
2	FRP Ecolite Details
3	
4	
5	
6	

Sheet No.

1 of 2

Scale

AS NOTED, ONLY VALID WHEN PRINTED ON A4

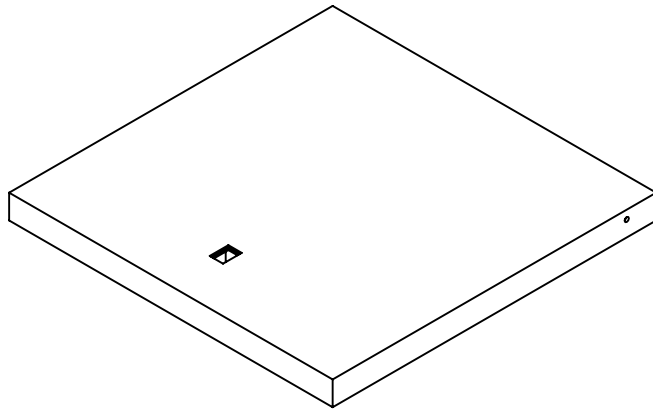
Part List

QTY	Part File Name	Part Weight (kg)	Sheets
1	frp-grey-4545.prt	21.0 +/- 0.2	1, 2

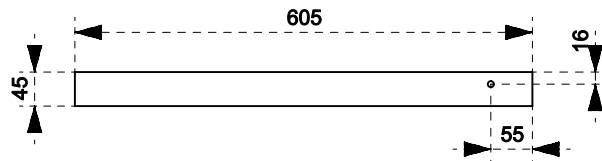
Title FRP Ecolite: 450x450mm P/S, Light Duty

Subtitle Class B, Grey		
Class Rating (AS3996 - 2006) B	Product Code frp-grey-4545	
Drawing No. ps_frp-grey-4545	Primary Material FRP	
Version No. 1.0	Previous Versions Nil	
Designed KH	Drawn TH	Approved SH
Date 10/10/2012	Date 08/12/2012	Date 08/12/2012

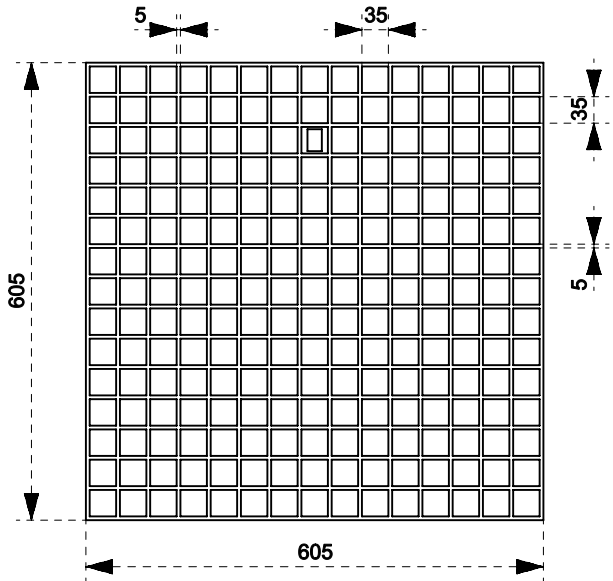
VIEW E



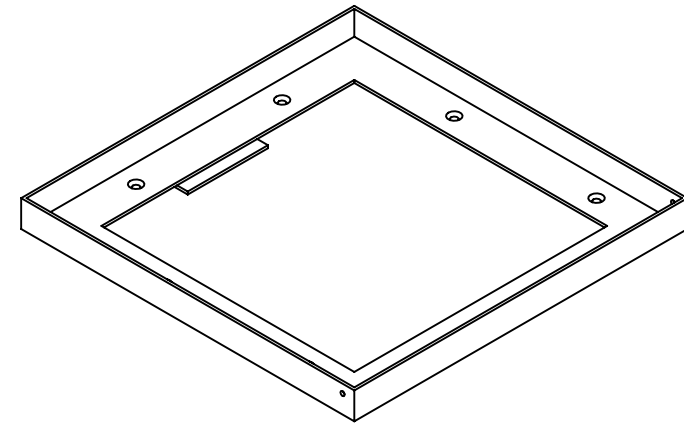
VIEW F



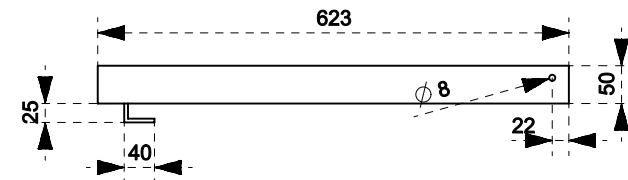
VIEW G



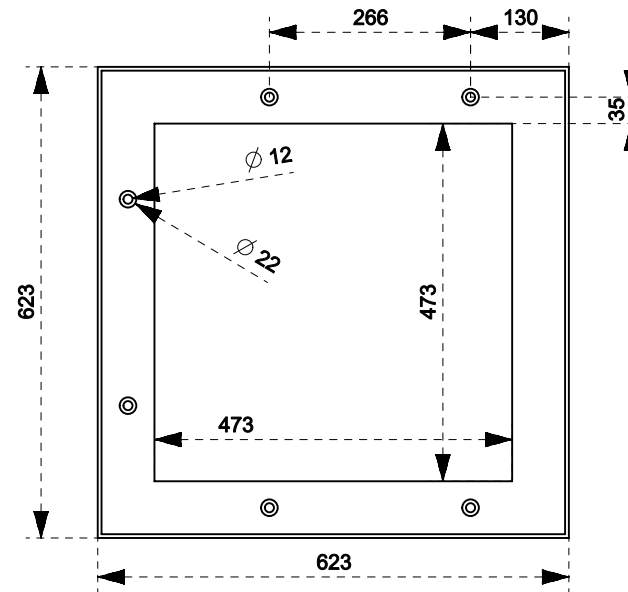
VIEW H



VIEW J



VIEW K



ROAD SAFETY GRATING  
13 HEALEY RD  
DANDENONG SOUTH, VIC 3175  
  
PH: (03) 9238 5888  
FAX: (03) 9238 5800  
EMAIL: sales@grating.com.au  
WEB: www.grating.com.au

Attachments

a	
b	
c	
d	
e	
f	
g	

Disclaimer

Drawings are provided in good faith and for use by the intended recipient only. Drawings remain the property of Straightmark Nominees Pty Ltd T/A Road Safety Grating (R&S). If this drawing has been received in error, or you are not the intended recipient, please delete it immediately and notify Road Safety Grating. Drawings are not to be transferred to a third party without written consent from Road Safety Grating. Road Safety Grating accepts no liability for misuse of, or reliance on, this drawing. If in doubt about any details on the drawing, please contact Road Safety Grating.

Sheet Information

No.	Description
1	FRP Ecolite Overview
2	FRP Ecolite Details
3	
4	
5	
6	

Sheet No.

2 of 2			
Scale AS NOTED, ONLY VALID WHEN PRINTED ON A4			
QTY	Part File Name	Part Weight (kg)	Sheets
1	frp-grey-4545.prt	21.0 +/- 0.2	1, 2

Title FRP Ecolite: 450x450mm P/S, Light Duty

Subtitle Class B, Grey		
Class Rating (AS3996 - 2006) B	Product Code frp-grey-4545	
Drawing No. ps_frp-grey-4545	Primary Material FRP	
Version No. 1.0	Previous Versions Nil	
Designed KH	Drawn TH	Approved SH
Date 10/10/2012	Date 08/12/2012	Date 08/12/2012