

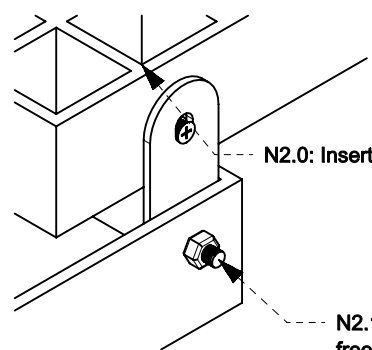
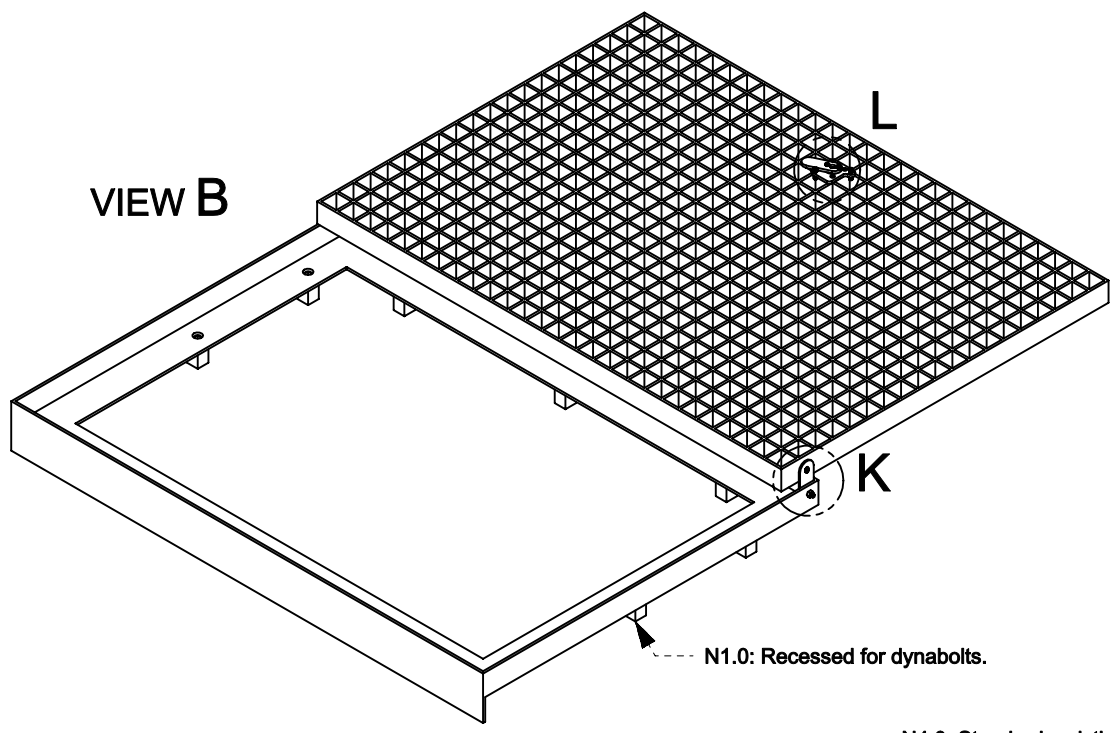
Product Notes

1. FRP Ecolites are load rated to Class B of AS3996 - 2006 (see attachment A).
2. FRP Ecolites achieve an R13 Oil-Wet Ramp Slip Resistance, as defined in AS/NZS 4586 - 2004 (see attachment A).
3. FRP Ecolite inserts are hinged, with >180° freedom of rotation.
4. The hinging mechanism allows the insert to sit on the ground behind the frame, giving full, unobstructed access to the pit.
5. The hinging mechanism, in combination with the lock, prevents the insert from moving in the event that the pit floods.
6. Total product weight, including frame, is 45.0 kg ± 0.2 kg.
7. Tested lifting weight of insert, once installed, is 14.8 kg ± 0.3 kg (see attachment A).

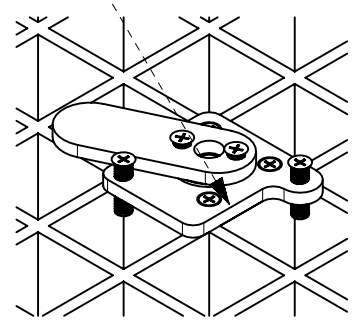
GREEN
RAL 6021

GREY
RAL 7035

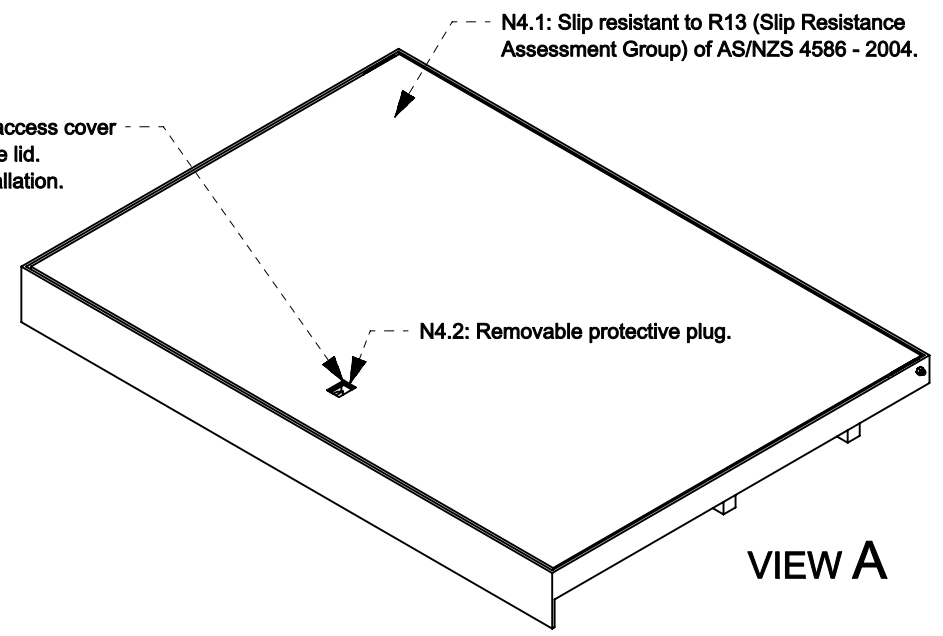
COLOURS AVAILABLE
*Other colours available upon request.



DETAIL K



DETAIL L



VIEW A



ROAD SAFETY GRATING
13 HEALEY RD
DANDENONG SOUTH, VIC 3175

PH: (03) 9238 5888
FAX: (03) 9238 5800
EMAIL: sales@grating.com.au
WEB: www.grating.com.au

Attachments	
a	tr_frp-green-9060s
b	
c	
d	
e	
f	
g	

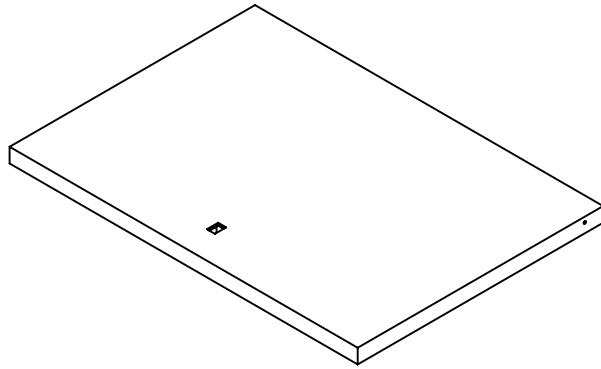
Disclaimer
Drawings are provided in good faith and for use by the intended recipient only. Drawings remain the property of Straightmark Nominees Pty Ltd T/A Road Safety Grating (R&S). If this drawing has been received in error, or you are not the intended recipient, please delete it immediately and notify Road Safety Grating. Drawings are not to be transferred to a third party without written consent from Road Safety Grating. Road Safety Grating accepts no liability for misuse of, or reliance on, this drawing. If in doubt about any details on the drawing, please contact Road Safety Grating.

Sheet Information	
No.	Description
1	FRP Cover & Frame Overview
2	FRP Cover & Frame Details
3	
4	
5	
6	

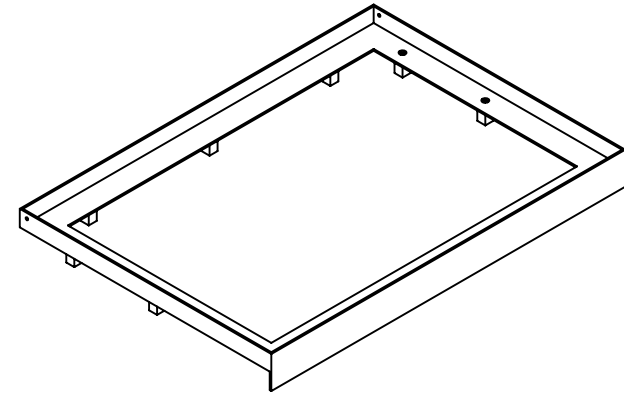
Sheet No.		1 of 2	
Scale			
AS NOTED, ONLY VALID WHEN PRINTED ON A4			
QTY	Part File Name	Part Weight (kg)	Sheets
1	frp-green-9060s.prt	45.0 +/- 2.0	1, 2

Title			
FRP Ecolite Side Entry Cover: 900x600mm P/S			
Subtitle		Class B, Grey	
Class Rating (AS3996 - 2006)	B	Product Code	frp-grey-9060s
Drawing No.	ps_frp-grey-9060s	Primary Material	FRP
Version No.	1.0	Previous Versions	Nil
Designed	KH	Drawn	TH
Date	01/02/2012	Date	31/05/2012
		Approved	SH
		Date	31/05/2012

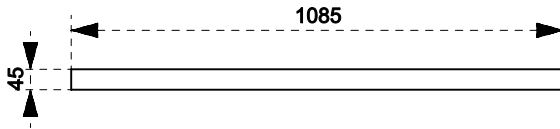
VIEW F



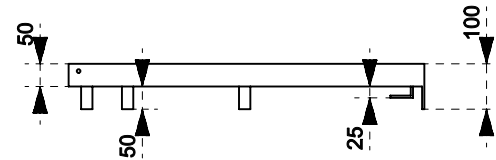
VIEW G



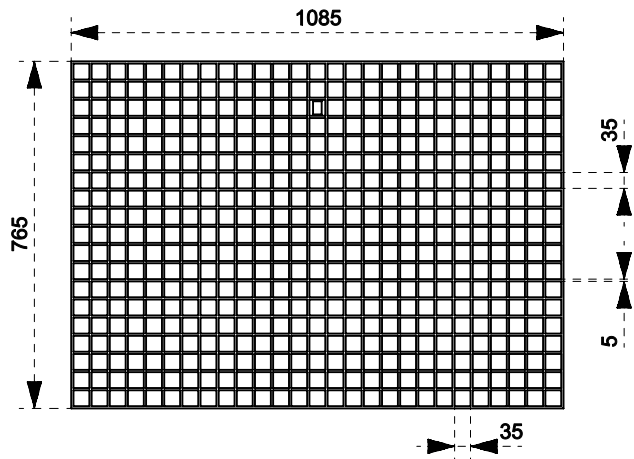
VIEW E



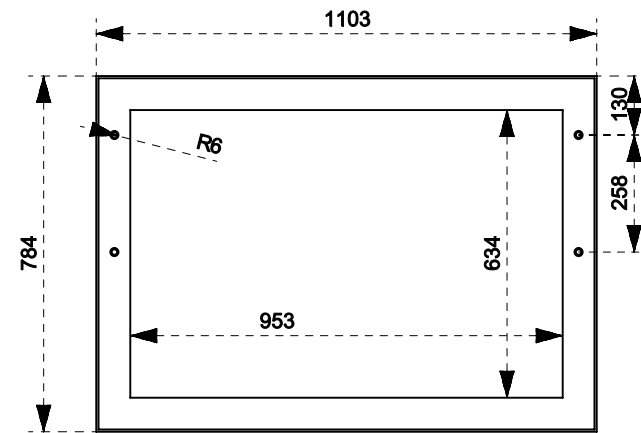
VIEW H



VIEW D



VIEW J



ROAD SAFETY GRATING
13 HEALEY RD
DANDENONG SOUTH, VIC 3175
PH: (03) 9238 5888
FAX: (03) 9238 5800
EMAIL: sales@grating.com.au
WEB: www.grating.com.au

Attachments	
a	tr_frp-green-9060s
b	
c	
d	
e	
f	
g	

Disclaimer
Drawings are provided in good faith and for use by the intended recipient only. Drawings remain the property of Straightmark Nominees Pty Ltd T/A Road Safety Grating (R&S). If this drawing has been received in error, or you are not the intended recipient, please delete it immediately and notify Road Safety Grating. Drawings are not to be transferred to a third party without written consent from Road Safety Grating. Road Safety Grating accepts no liability for misuse of, or reliance on, this drawing. If in doubt about any details on the drawing, please contact Road Safety Grating.

Sheet Information	
No.	Description
1	FRP Cover & Frame Overview
2	FRP Cover & Frame Details
3	
4	
5	
6	

Sheet No.		2 of 2	
Scale			
AS NOTED, ONLY VALID WHEN PRINTED ON A4			
QTY	Part File Name	Part Weight (kg)	Sheets
1	frp-green-9060s.prt	45.0 +/- 2.0	1, 2
Part List			

Title			
FRP Ecolite Side Entry Cover: 900x600mm P/S			
Subtitle		Class B, Grey	
Class Rating (AS3996 - 2006)		B	Product Code
Drawing No.		ps_frp-grey-9060s	Primary Material
Version No.		1.0	Previous Versions
Designed		KH	Drawn
Date		01/02/2012	TH
		Approved	SH
		Date	31/05/2012
		Date	31/05/2012