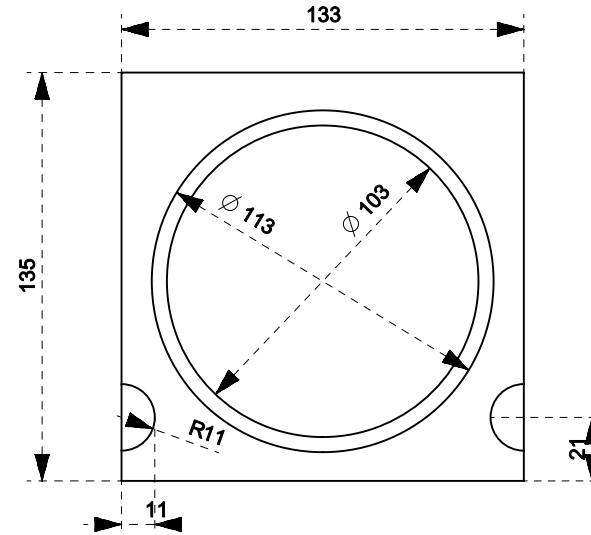
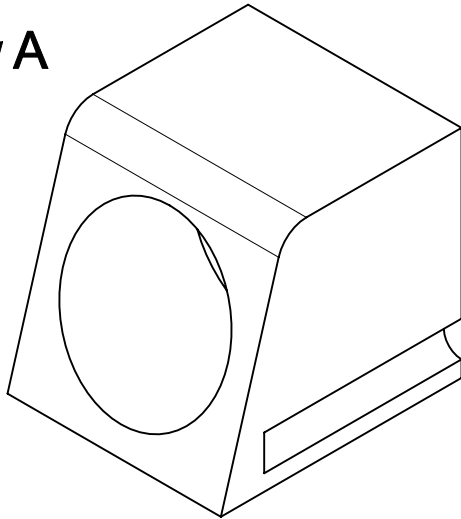
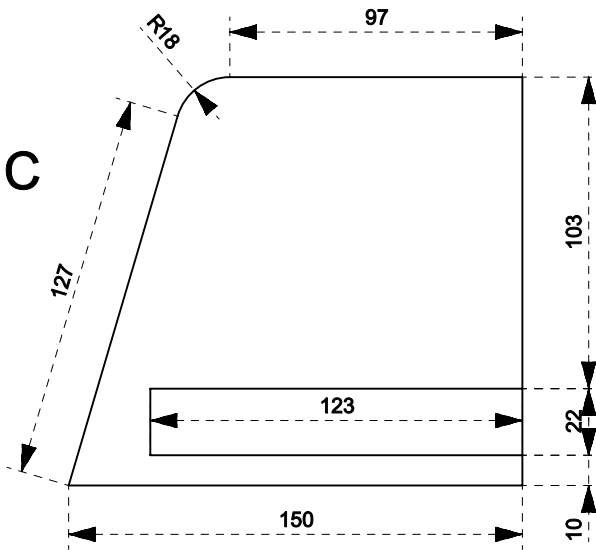


VIEW A



VIEW B

VIEW C



**Product Notes**

- \* Recycled rubber kerb adaptors are designed to adapt to 90mm or 100mm pipes.
- \* Recycled rubber kerb adaptors are load rated to 8 tonnes (see test results - "tr\_k-r-b2.pdf")
- \* Colours available: charcoal or concrete grey.



ROAD SAFETY GRATING  
 13 HEALEY RD  
 DANDENONG SOUTH, VIC 3175  
 PH: (03) 9238 5888  
 FAX: (03) 9238 5800  
 EMAIL: sales@grating.com.au  
 WEB: www.grating.com.au

Attachments		Disclaimer		Sheet Information		Sheet No. 1 of 1		Title			
a		Drawings are provided in good faith and for use by the intended recipient only. Drawings remain the property of Straightmark Nominees Pty Ltd T/A Road Safety Grating (R&S). If this drawing has been received in error, or you are not the intended recipient, please delete it immediately and notify Road Safety Grating. Drawings are not to be transferred to a third party without written consent from Road Safety Grating. Road Safety Grating accepts no liability for misuse of, or reliance on, this drawing. If in doubt about any details on the drawing, please contact Road Safety Grating.		No.	Description	Scale		AS NOTED, ONLY VALID WHEN PRINTED ON A4			
b				1	Kerb Adaptor Details	AS NOTED, ONLY VALID WHEN PRINTED ON A4		Recycled Rubber Kerb Adaptor: B2			
c				2		AS NOTED, ONLY VALID WHEN PRINTED ON A4		Subtitle Class B, Grey or Charcoal			
d				3		AS NOTED, ONLY VALID WHEN PRINTED ON A4		Class Rating (AS3996 - 2006) B Product Code k-r-b2			
e				4		AS NOTED, ONLY VALID WHEN PRINTED ON A4		Drawing No. ps_k-r-b2 Primary Material Recycled Rubber			
f				5		AS NOTED, ONLY VALID WHEN PRINTED ON A4		Version No. 1.0 Previous Versions Nil			
g				6		AS NOTED, ONLY VALID WHEN PRINTED ON A4		Designed Existing Drawn TH Approved SH Date N/A Date 11/12/2012 Date 11/12/2012			