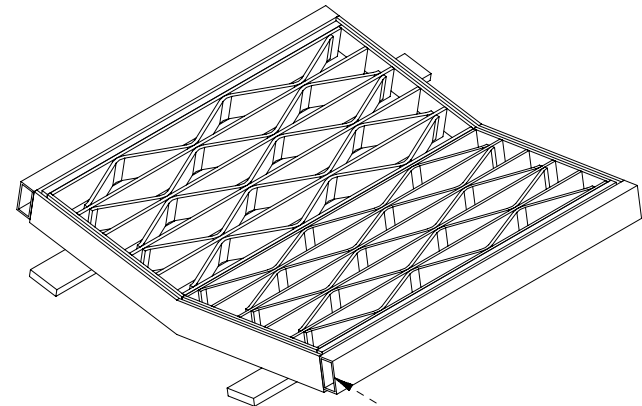


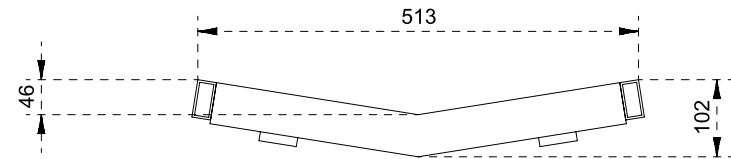
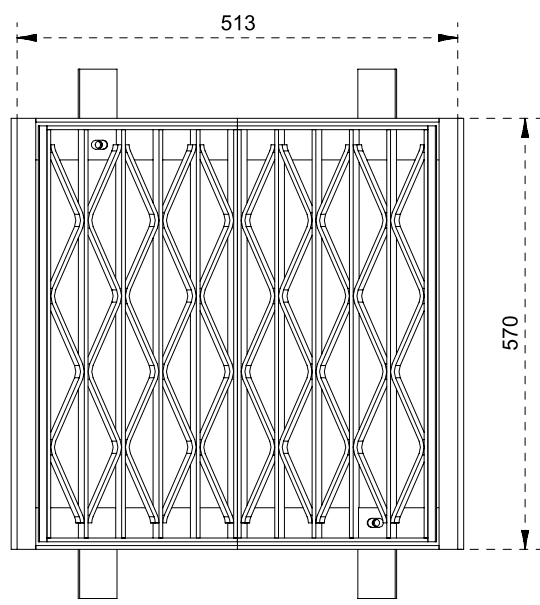
Eco-Weaved "V" G&F: 450x450mm P/S, Heavy Duty (Class D)

# SG-H-MSG-EWV4545

Feature	Value	Notes
Overall Grate Size (mm)	550x453x50	Does not include "V" drop.
Overall Frame Size (mm)	570x513x55	Does not include "V" drop.
Grate Weight (kg)	24.0	
Frame Weight (kg)	11.0	
Total Product Weight (kg)	35.0	
Grate Open Surface Area (m <sup>2</sup> )	0.11 (77%)	
Class Rating (AS3996 - 2006)	D	
Ultimate Limit State Load (kN)	210	
Servicability Limit State Load (kN)	140	
Nominal Wheel Loading (kg)	8000	
Product Finish	Galvanised	



50x25x3mm RHS edge, with ends left open.



ROAD SAFETY GRATING  
13 HEALEY RD  
DANDENONG SOUTH, VIC 3175  
  
PH: (03) 9238 5888  
FAX: (03) 9238 5800  
EMAIL: sales@grating.com.au  
WEB: www.grating.com.au

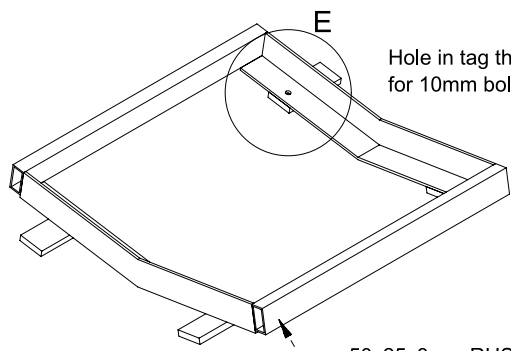
Attachments	
a	
b	
c	
d	
e	
f	
g	

**Disclaimer**  
Drawings are provided in good faith and for use by the intended recipient only. Drawings remain the property of Straighmark Nominees Pty Ltd T/A Road Safety Grating (R&S). If this drawing has been received in error, or you are not the intended recipient, please delete it immediately and notify Road Safety Grating. Drawings are not to be transferred to a third party without written consent from Road Safety Grating. Road Safety Grating accepts no liability for misuse of, or reliance on, this drawing. If in doubt about any details on the drawing, please contact Road Safety Grating.

Sheet Information	
No.	Description
1	Grate & Frame Overview
2	Grate & Frame Details
3	
4	
5	
6	

Sheet No. 1 of 2			
Scale AS NOTED, ONLY VALID WHEN PRINTED ON A4			
QTY	Part File Name	Part Weight (kg)	Sheets
1	sg-h-msg-ewv4545g	24.0	1, 2
1	sg-h-msg-ewv4545f	11.0	1, 2

Title Eco-Weaved "V" G&F: 450x450mm P/S, Heavy Duty (Class D), Bolt Down			
Subtitle Galvanised			
Class Rating (AS3996 - 2006)	D	Product Code	sg-h-msg-ewv4545
Drawing No.	ps_sg-h-msg-ewv4545	Primary Material	Galvanised MS
Version No.	1.0	Previous Versions	Nil
Designed	N/A	Drawn	TH
Date	N/A	Date	27/05/2016
Approved	CT	Date	27/05/2016



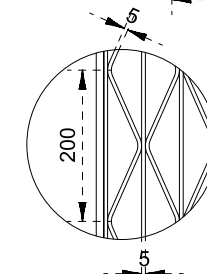
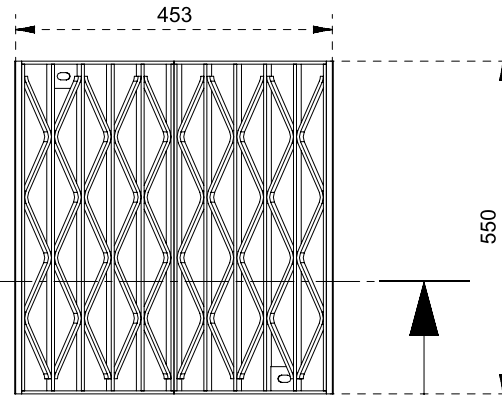
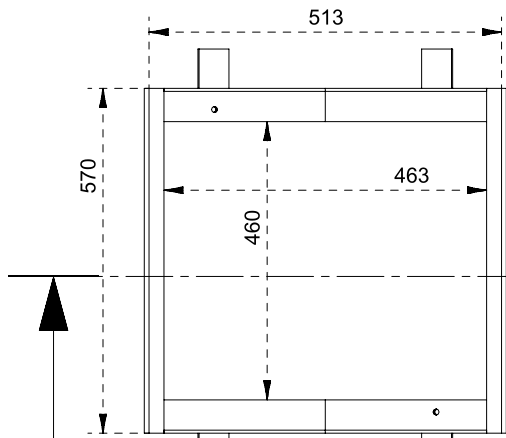
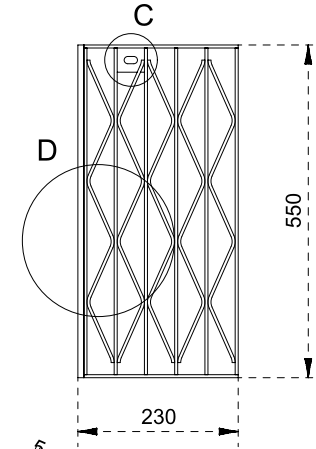
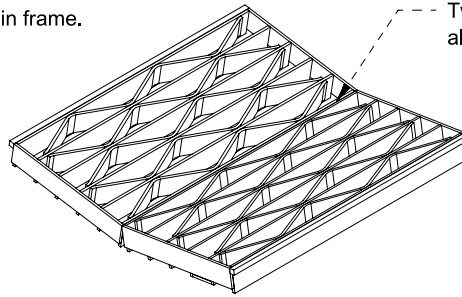
Hole in tag threaded for 10mm bolt.

10mm diameter hole in frame.

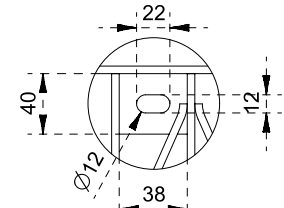
Two grates welded together along centre "V" to make one grate.

50x25x3mm RHS edge, with ends left open.

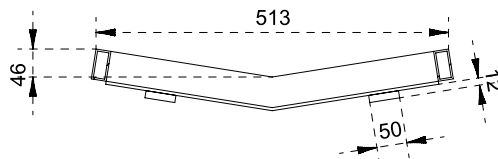
DETAIL E  
SCALE 1:10



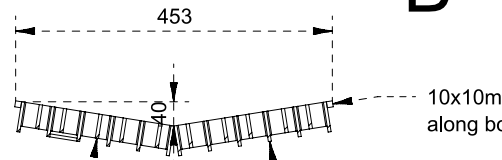
DETAIL D  
SCALE 1:10



DETAIL  
SCALE  
Bolt down plate.



SECTION A-A



40x5mm weaved bars,  
QTY: 10

50x5mm load bars,  
QTY: 12

10x10mm flat  
along both edges of grate.

SECTION B-B



ROAD SAFETY GRATING  
13 HEALEY RD  
DANDENONG SOUTH, VIC 3175  
PH: (03) 9238 5888  
FAX: (03) 9238 5800  
EMAIL: sales@grating.com.au  
WEB: www.grating.com.au

Attachments	
a	
b	
c	
d	
e	
f	
g	

**Disclaimer**  
Drawings are provided in good faith and for use by the intended recipient only. Drawings remain the property of Straightmark Nominees Pty Ltd T/A Road Safety Grating (R&S). If this drawing has been received in error, or you are not the intended recipient, please delete it immediately and notify Road Safety Grating. Drawings are not to be transferred to a third party without written consent from Road Safety Grating. Road Safety Grating accepts no liability for misuse of, or reliance on, this drawing. If in doubt about any details on the drawing, please contact Road Safety Grating.

Sheet Information	
No.	Description
1	Grate & Frame Overview
2	Grate & Frame Details
3	
4	
5	
6	

Sheet No.		2 of 2	
Scale			
AS NOTED, ONLY VALID WHEN PRINTED ON A4			
Part List	QTY	Part File Name	Part Weight (kg)   Sheets
	1	1	sg-h-msg-ewv4545g
1	1	sg-h-msg-ewv4545f	11.0   1,2

Title			
Eco-Weaved "V" G&F: 450x450mm P/S, Heavy Duty (Class D), Bolt Down			
Subtitle		Galvanised	
Class Rating (AS3996 - 2006)	D	Product Code	sg-h-msg-ewv4545
Drawing No.	ps_sg-h-msg-ewv4545	Primary Material	Galvanised MS
Version No.	1.0	Previous Versions	N/A
Designed	N/A	Drawn	TH
Date	N/A	Date	27/05/2016
Approved	CT	Date	27/05/2016