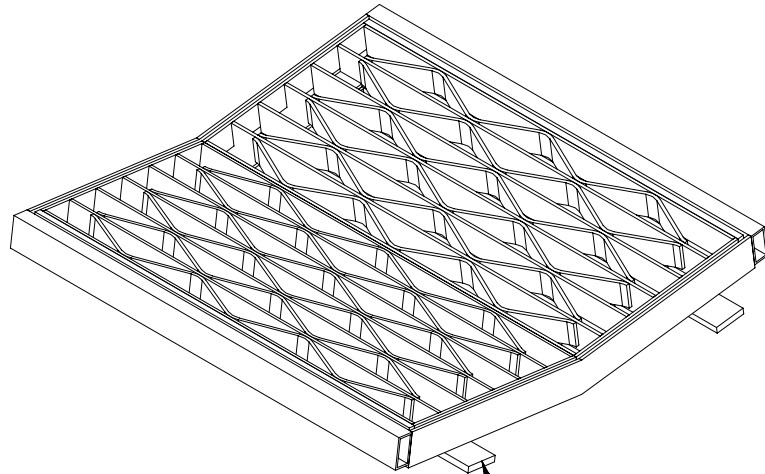


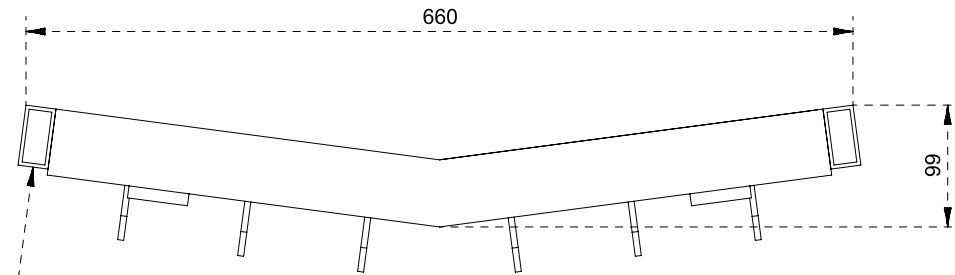
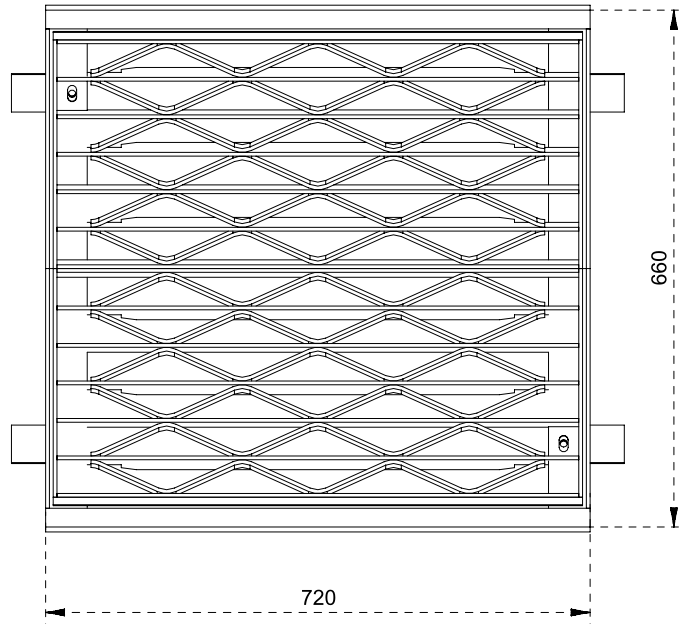
ECO-Weaved "V" G&F: 600x600mm P/S, Class D, Bolt Down

SG-H-MSG-EWV6060

Feature	Value	Notes
Overall Grate Size (mm)	601 x 700 x 50	Finish depth of steel edge. Ignores "V" and notched out bars.
Overall Frame Size (mm)	660 x 720 x 55	Finish depth of angle frame. Ignores "V" depth. See sheet 2 for detail.
Grate Weight (kg)	40.0 +/- 1.0	
Frame Weight (kg)	12.0 +/- 0.5	
Total Product Weight (kg)	52.0 +/- 1.5	
Grate Open Surface Area (m ²)	0.33 (78.1%)	
Class Rating (AS3996 - 2006)	D	
Ultimate Limit State Load (kN)	210	
Servicability Limit State Load (kN)	140	
Nominal Wheel Loading (kg)	8000	
Product Finish	Galvanised	



Concreting tag (QTY: 4)
Two threaded for bolt down.



50x25x3mm RHS on
two sides of frame.



ROAD SAFETY GRATING
13 HEALEY RD
DANDENONG SOUTH, VIC 3175

PH: (03) 9238 5888
FAX: (03) 9238 5800
EMAIL: sales@grating.com.au
WEB: www.grating.com.au

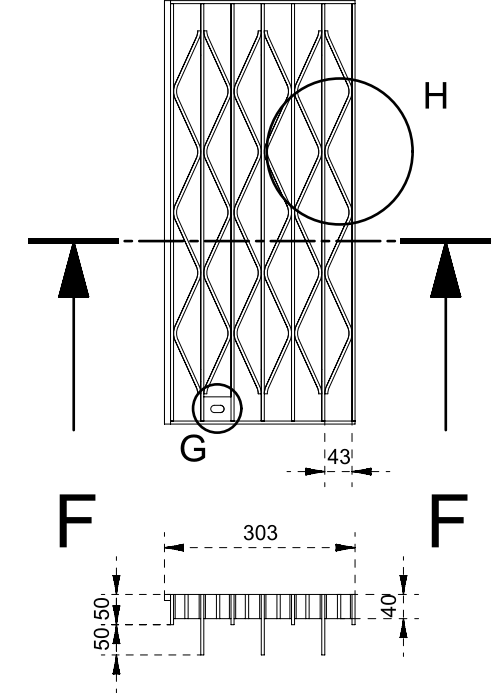
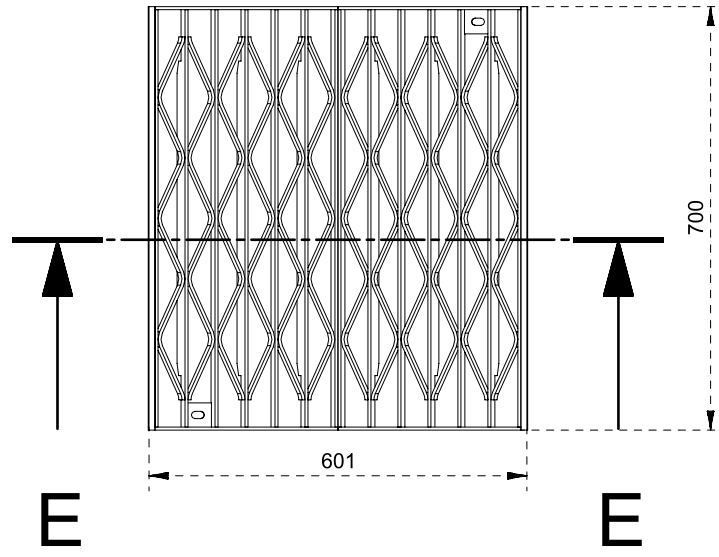
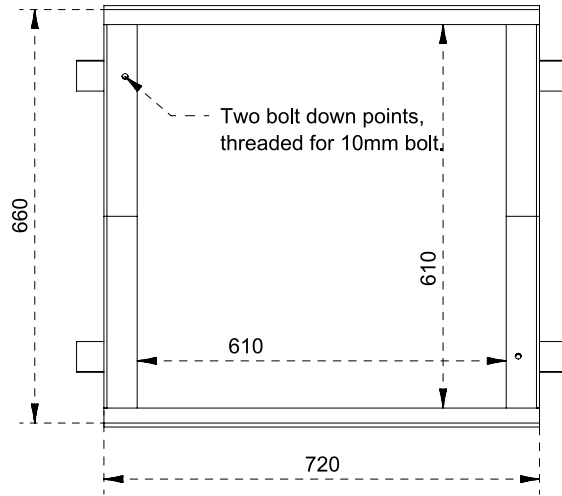
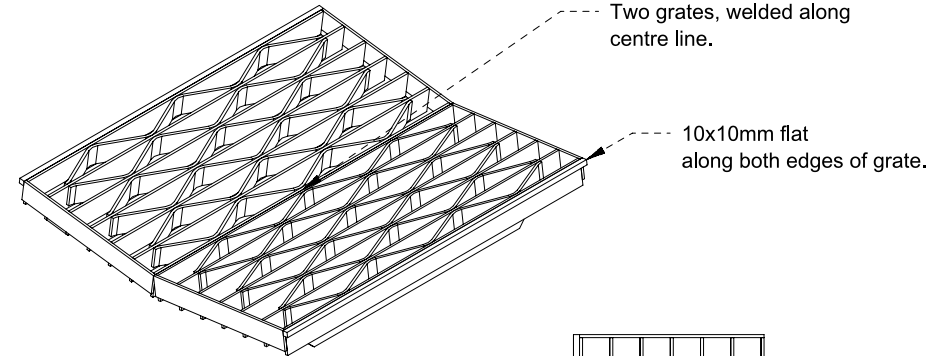
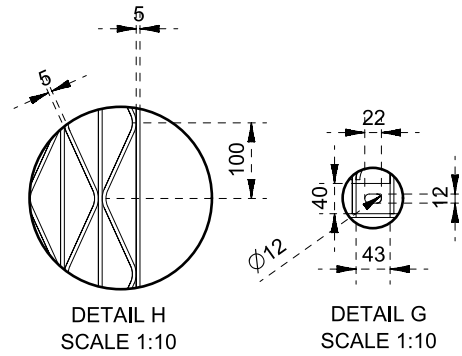
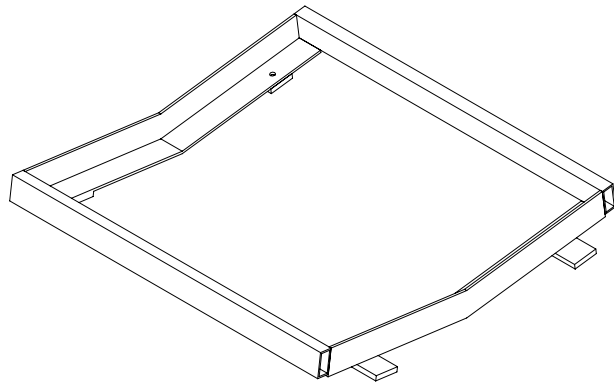
Attachments
a
b
c
d
e
f
g

Disclaimer
Drawings are provided in good faith and for use by the intended recipient only. Drawings remain the property of Straighmark Nominees Pty Ltd T/A Road Safety Grating (R&S). If this drawing has been received in error, or you are not the intended recipient, please delete it immediately and notify Road Safety Grating.
Drawings are not to be transferred to a third party without written consent from Road Safety Grating. Road Safety Grating accepts no liability for misuse of, or reliance on, this drawing. If in doubt about any details on the drawing, please contact Road Safety Grating.

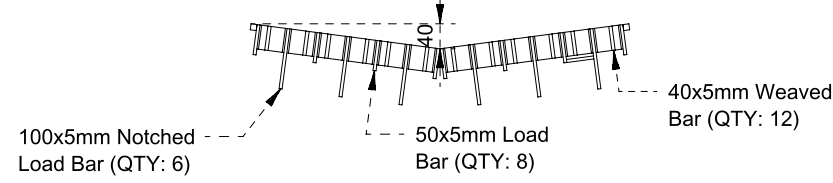
Sheet Information	
No.	Description
1	Grate & Frame Overview
2	Grate & Frame Details
3	
4	
5	
6	

Sheet No.		1 of 2	
Scale			
AS NOTED, ONLY VALID WHEN PRINTED ON A4			
QTY	Part File Name	Part Weight (kg)	Sheets
1	sg-h-msg-ewv6060g	40.0	1, 2
1	sg-h-msg-ewv6060f	12.0	1, 2

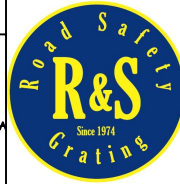
Title			
ECO-Weaved "V" G&F: 600x600mm P/S, Heavy Duty (Class D)			
Subtitle			
Galvanised, Bolt Down			
Class Rating (AS3996 - 2006)	D	Product Code	sg-h-msg-ewv6060
Drawing No.	ps_sg-h-msg-ewv6060	Primary Material	Galvanised MS
Version No.	1.0	Previous Versions	Nil
Designed	N/A	Drawn	TH
Date	N/A	Date	24/05/16
Approved	CT	Date	24/05/16



SECTION -
Component Grate Before
Welding Into "V"



SECTION E-E



ROAD SAFETY GRATING
13 HEALEY RD
DANDENONG SOUTH, VIC 3175

PH: (03) 9238 5888
FAX: (03) 9238 5800
EMAIL: sales@grating.com.au
WEB: www.grating.com.au

Attachments	
a	
b	
c	
d	
e	
f	
g	

Disclaimer

Drawings are provided in good faith and for use by the intended recipient only. Drawings remain the property of Straighmark Nominees Pty Ltd T/A Road Safety Grating (R&S). If this drawing has been received in error, or you are not the intended recipient, please delete it immediately and notify Road Safety Grating. Drawings are not to be transferred to a third party without written consent from Road Safety Grating. Road Safety Grating accepts no liability for misuse of, or reliance on, this drawing. If in doubt about any details on the drawing, please contact Road Safety Grating.

Sheet Information	
No.	Description
1	Grate & Frame Overview
2	Grate & Frame Details
3	
4	
5	
6	

Sheet No.		2 of 2	
Scale			
AS NOTED, ONLY VALID WHEN PRINTED ON A4			
Part List	QTY	Part File Name	Part Weight (kg) Sheets
	1	sg-h-msg-ewv6060g	40.0 1,2
1	sg-h-msg-ewv6060f	12.0 1,2	

Title			
ECO-Weaved "V" G&F: 600x600mm P/S, Heavy Duty (Class D)			
Subtitle			
Galvanised, Bolt Down			
Class Rating (AS3996 - 2006)	D	Product Code	sg-h-msg-ewv6060
Drawing No.	ps_sg-h-msg-ewv6060	Primary Material	Galvanised MS
Version No.	1.0	Previous Versions	Nil
Designed	N/A	Drawn	TH
Date	N/A	Date	24/05/16
Approved	CT	Date	24/05/16