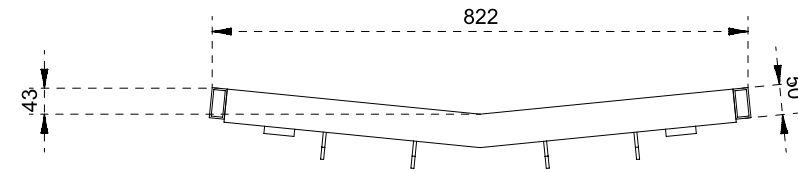
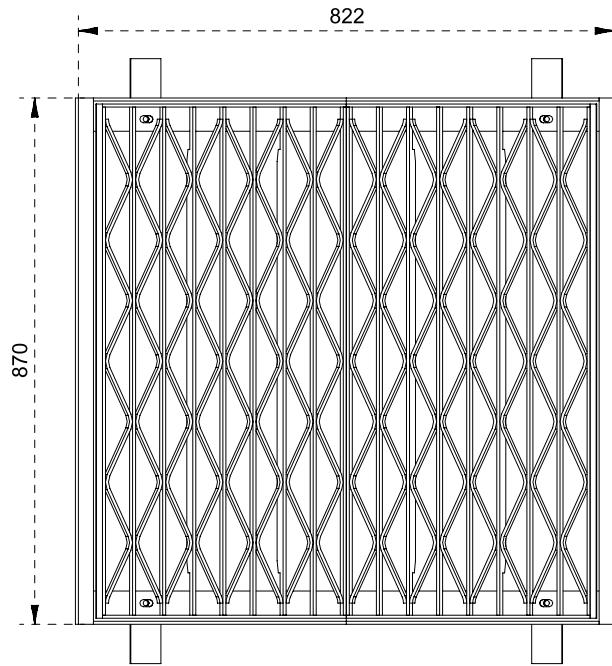
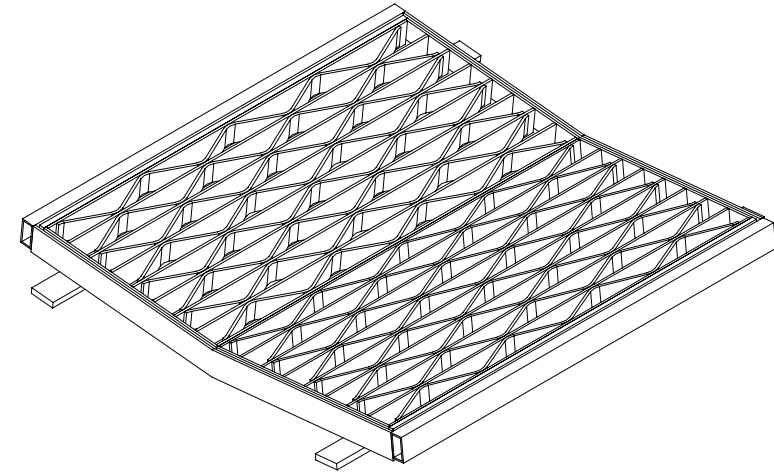


SG-H-MSG-EWV7575

Feature	Value	Notes
Overall Grate Size (mm)	758x826x50	Does not include drop of "V" or notched out bars.
Overall Frame Size (mm)	822x886x55	Does not include drop of "V".
Grate Weight (kg)	59.5	
Frame Weight (kg)	15.0	
Total Product Weight (kg)	74.5	
Grate Open Surface Area (m ²)	0.54 (77%)	
Class Rating (AS3996 - 2006)	D	
Ultimate Limit State Load (kN)	210	
Servicability Limit State Load (kN)	140	
Nominal Wheel Loading (kg)	8000	
Product Finish	Galvanised	



ROAD SAFETY GRATING
 13 HEALEY RD
 DANDENONG SOUTH, VIC 3175
 PH: (03) 9238 5888
 FAX: (03) 9238 5800
 EMAIL: sales@grating.com.au
 WEB: www.grating.com.au

Attachments	
a	
b	
c	
d	
e	
f	
g	

Disclaimer

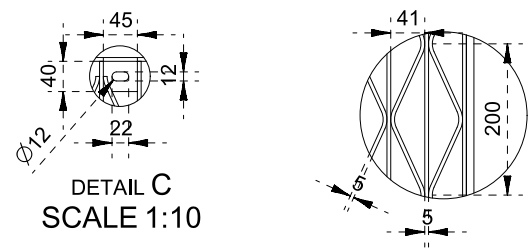
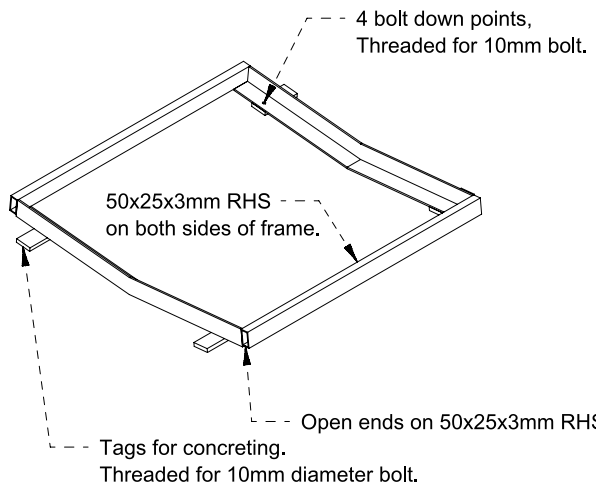
Drawings are provided in good faith and for use by the intended recipient only. Drawings remain the property of Straighmark Nominees Pty Ltd T/A Road Safety Grating (R&S). If this drawing has been received in error, or you are not the intended recipient, please delete it immediately and notify Road Safety Grating.

Drawings are not to be transferred to a third party without written consent from Road Safety Grating. Road Safety Grating accepts no liability for misuse of, or reliance on, this drawing. If in doubt about any details on the drawing, please contact Road Safety Grating.

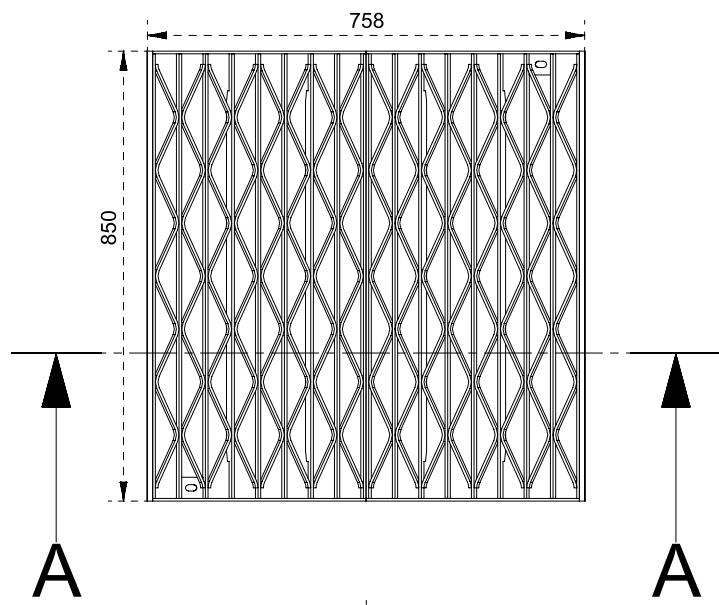
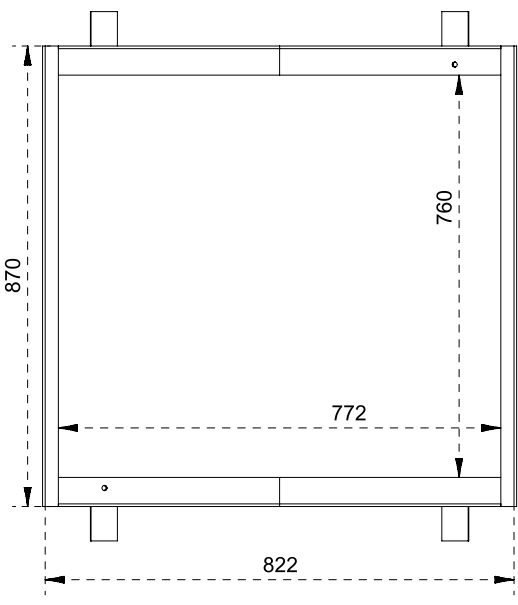
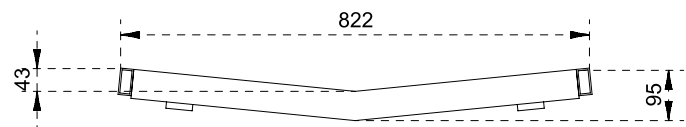
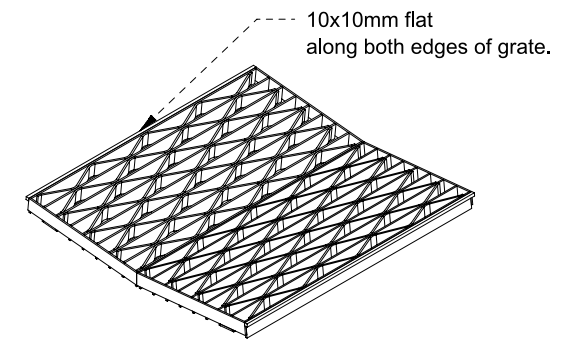
Sheet Information	
No.	Description
1	Grate & Frame Overview
2	Grate & Frame Details
3	
4	
5	
6	

Sheet No.		1 of 2	
Scale AS NOTED, ONLY VALID WHEN PRINTED ON A4			
QTY	Part File Name	Part Weight (kg)	Sheets
1	sg-h-msg-ewv7575g	59.5	1, 2
1	sg-h-msg-ewv7575f	15.0	1, 2

Title			
Eco-Weaved "V" G&F: 750x750mm P/S, Heavy Duty (Class D), Bolt Down			
Subtitle		Galvanised	
Class Rating (AS3996 - 2006)	D	Product Code	sg-h-msg-ewv7575
Drawing No.	ps_sg-h-msg-ewv7575	Primary Material	Galvanised MS
Version No.	1.0	Previous Versions	Nil
Designed	N/A	Drawn	TH
Date	N/A	Date	31/05/2016
Approved	CT	Date	31/05/2016



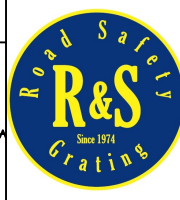
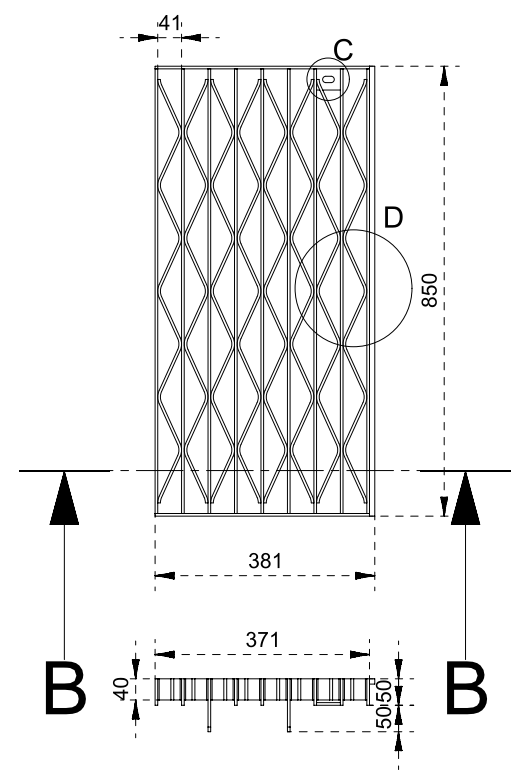
DETAIL D
SCALE 1:10



100x5mm notched bars. QTY: 4

40x5mm weaved bars. QTY: 16

50x5mm load bars. QTY: 14



ROAD SAFETY GRATING
13 HEALEY RD
DANDENONG SOUTH, VIC 3175

PH: (03) 9238 5888
FAX: (03) 9238 5800
EMAIL: sales@grating.com.au
WEB: www.grating.com.au

Attachments	
a	
b	
c	
d	
e	
f	
g	

Disclaimer

Drawings are provided in good faith and for use by the intended recipient only. Drawings remain the property of Straightmark Nominees Pty Ltd T/A Road Safety Grating (R&S). If this drawing has been received in error, or you are not the intended recipient, please delete it immediately and notify Road Safety Grating. Drawings are not to be transferred to a third party without written consent from Road Safety Grating. Road Safety Grating accepts no liability for misuse of, or reliance on, this drawing. If in doubt about any details on the drawing, please contact Road Safety Grating.

Sheet Information	
No.	Description
1	Grate & Frame Overview
2	Grate & Frame Details
3	
4	
5	
6	

Sheet No.		2 of 2	
Scale			
AS NOTED, ONLY VALID WHEN PRINTED ON A4			
Part List	QTY	Part File Name	Part Weight (kg) Sheets
	1	1	sg-h-msg-ewv7575f1
	1	sg-h-msg-ewv7575f1	15.0 1,2

Title			
Eco-Weaved "V" G&F: 750x750mm P/S, Heavy Duty (Class D), Bolt Down			
Subtitle		Galvanised	
Class Rating (AS3996 - 2006)	D	Product Code	sg-h-msg-ewv7575
Drawing No.	ps_sg-h-msg-ewv7575	Primary Material	Galvanised MS
Version No.	1.0	Previous Versions	Nil
Designed	N/A	Drawn	TH
Date	N/A	Date	31/05/2016
Approved	CT	Date	31/05/2016