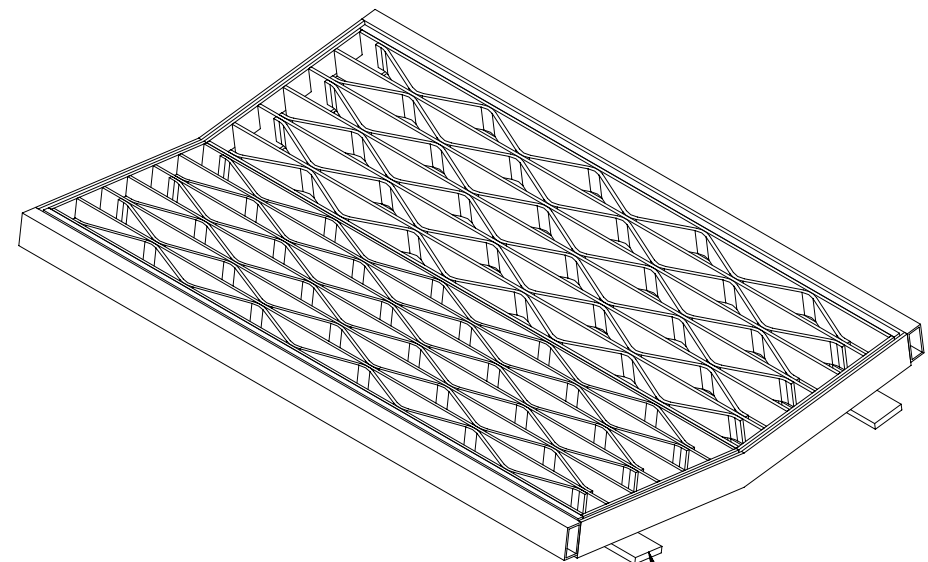


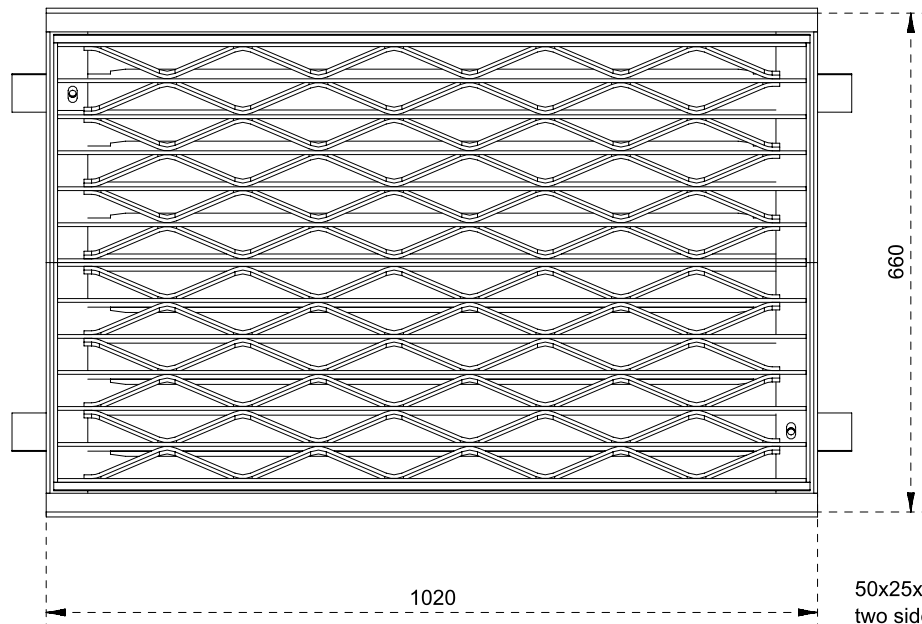
ECO-Weaved "V" G&F: 900x600mm P/S, Class D, Bolt Down

# SG-H-MSG-EWV9060

Feature	Value	Notes
Overall Grate Size (mm)	601 x 1000 x 50	Finish depth of steel edge. Ignores "V" and notched out bars.
Overall Frame Size (mm)	660 x 1020 x 55	Finish depth of angle frame. Ignores "V" depth. See sheet 2 for detail.
Grate Weight (kg)	58.0 +/- 1.0	
Frame Weight (kg)	14.0 +/- 0.5	
Total Product Weight (kg)	72.0 +/- 1.5	
Grate Open Surface Area (m <sup>2</sup> )	0.47 (78%)	
Class Rating (AS3996 - 2006)	D	
Ultimate Limit State Load (kN)	210	
Servicability Limit State Load (kN)	140	
Nominal Wheel Loading (kg)	8000	
Product Finish	Galvanised	



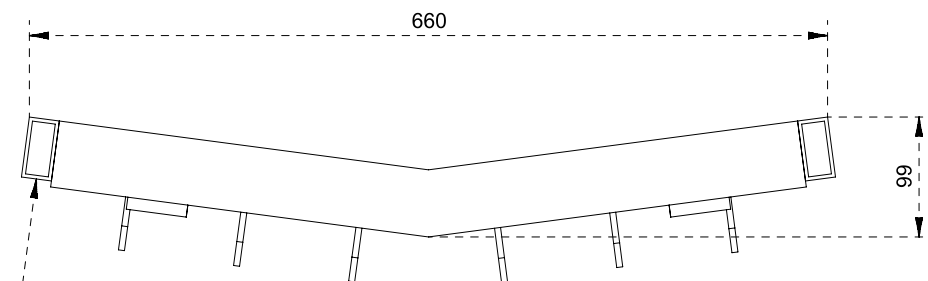
Concreting tag (QTY: 4)  
Two threaded for bolt down.



660

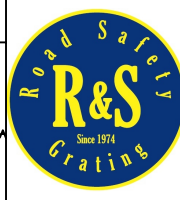
1020

50x25x3mm RHS on  
two sides of frame.



660

99



ROAD SAFETY GRATING  
13 HEALEY RD  
DANDENONG SOUTH, VIC 3175  
  
PH: (03) 9238 5888  
FAX: (03) 9238 5800  
EMAIL: sales@grating.com.au  
WEB: www.grating.com.au

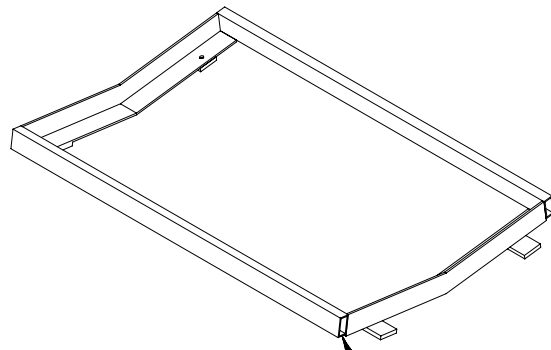
Attachments
a
b
c
d
e
f
g

**Disclaimer**  
Drawings are provided in good faith and for use by the intended recipient only. Drawings remain the property of Straighmark Nominees Pty Ltd T/A Road Safety Grating (R&S). If this drawing has been received in error, or you are not the intended recipient, please delete it immediately and notify Road Safety Grating.  
Drawings are not to be transferred to a third party without written consent from Road Safety Grating. Road Safety Grating accepts no liability for misuse of, or reliance on, this drawing. If in doubt about any details on the drawing, please contact Road Safety Grating.

Sheet Information	
No.	Description
1	Grate & Frame Overview
2	Grate & Frame Details
3	
4	
5	
6	

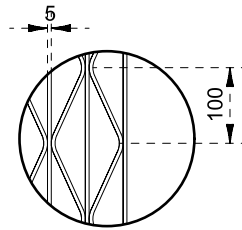
Sheet No.		1 of 2	
Scale			
AS NOTED, ONLY VALID WHEN PRINTED ON A4			
QTY	Part File Name	Part Weight (kg)	Sheets
1	sg-h-msg-ewv9060g	58.0	1, 2
1	sg-h-msg-ewv9060f	14.0	1, 2

Title			
ECO-Weaved "V" G&F: 900x600mm P/S, Heavy Duty (Class D)			
Subtitle			
Galvanised, Bolt Down			
Class Rating (AS3996 - 2006)	D	Product Code	sg-h-msg-ewv9060
Drawing No.	ps_sg-h-msg-ewv9060	Primary Material	Galvanised MS
Version No.	1.0	Previous Versions	N/A
Designed	N/A	Drawn	TH
Date	N/A	Date	23/05/16
Approved	CT	Date	23/05/16

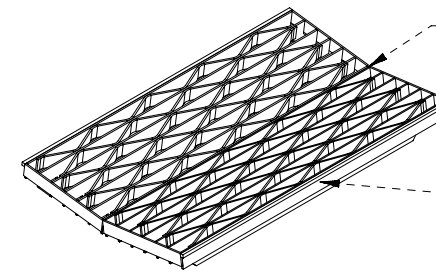
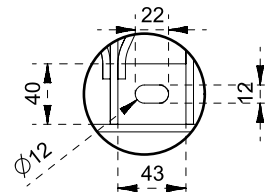


Open ends on 50x25x3mm RHS sides of frame.

**DETAIL E**  
SCALE 1:10

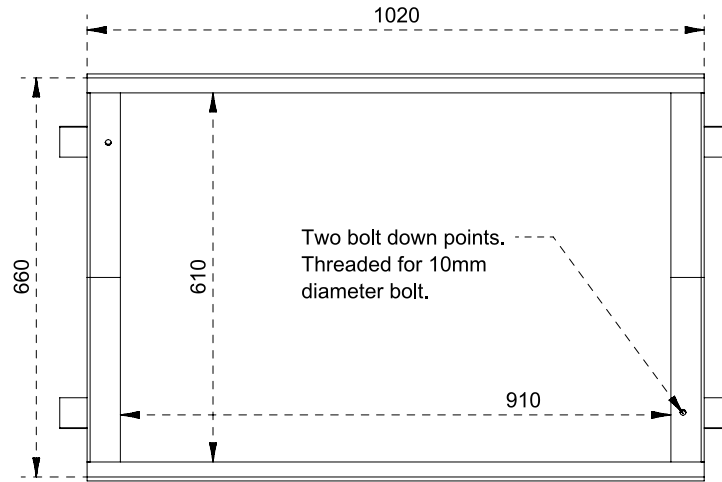


**DETAIL D**  
Scale 1:5

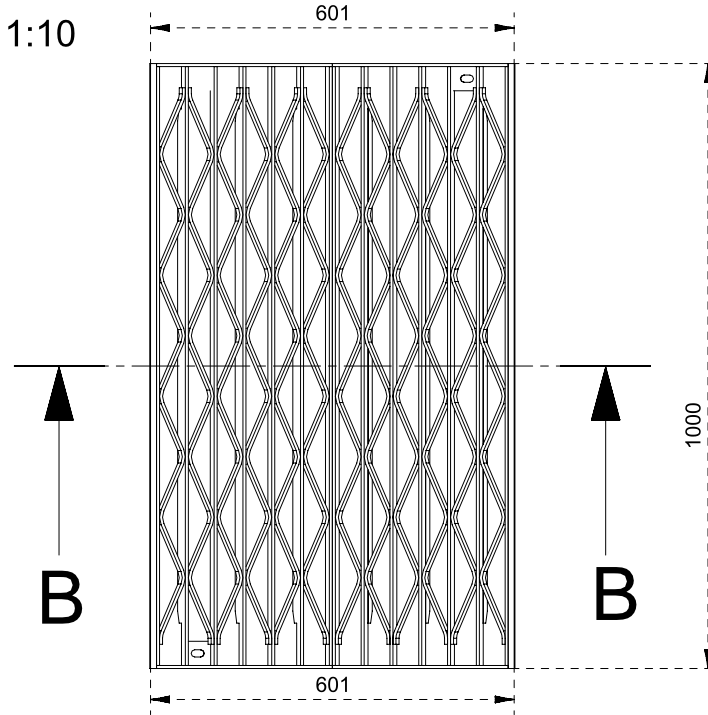


Weld two grates along centre "V" to make one grate.

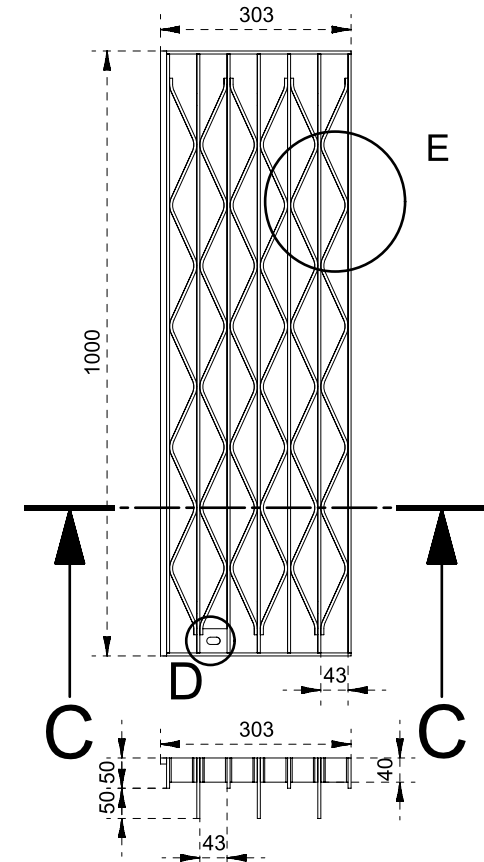
10x10mm flat along both edges of grate.



Two bolt down points. Threaded for 10mm diameter bolt.

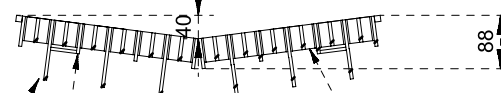


**SECTION B-B**



**SECTION - Individual Component Grate Before "V"**

100x5mm Notched Load Bar (QTY: 6)



50x5mm Load Bar (QTY: 8)

40x5mm Weaved Bar (QTY: 12)



ROAD SAFETY GRATING  
13 HEALEY RD  
DANDENONG SOUTH, VIC 3175  
PH: (03) 9238 5888  
FAX: (03) 9238 5800  
EMAIL: sales@grating.com.au  
WEB: www.grating.com.au

Attachments	
a	
b	
c	
d	
e	
f	
g	

**Disclaimer**  
Drawings are provided in good faith and for use by the intended recipient only. Drawings remain the property of Straighmark Nominees Pty Ltd T/A Road Safety Grating (R&S). If this drawing has been received in error, or you are not the intended recipient, please delete it immediately and notify Road Safety Grating. Drawings are not to be transferred to a third party without written consent from Road Safety Grating. Road Safety Grating accepts no liability for misuse of, or reliance on, this drawing. If in doubt about any details on the drawing, please contact Road Safety Grating.

Sheet Information	
No.	Description
1	Grate & Frame Overview
2	Grate & Frame Details
3	
4	
5	
6	

Sheet No.		2 of 2	
Scale			
AS NOTED, ONLY VALID WHEN PRINTED ON A4			
Part List			
QTY	Part File Name	Part Weight (kg)	Sheets
1	sg-h-msg-ewv9060g	58.0	1, 2
1	sg-h-msg-ewv9060f	14.0	1, 2

Title			
ECO-Weaved "V" G&F: 900x600mm P/S, Heavy Duty (Class D)			
Subtitle			
Galvanised, Bolt Down			
Class Rating (AS3996 - 2006)	D	Product Code	sg-h-msg-ewv9060
Drawing No.	ps_sg-h-msg-ewv9060	Primary Material	Galvanised MS
Version No.	1.0	Previous Versions	N/A
Designed	N/A	Drawn	TH
Date	N/A	Date	23/05/16
Approved	CT	Date	23/05/16