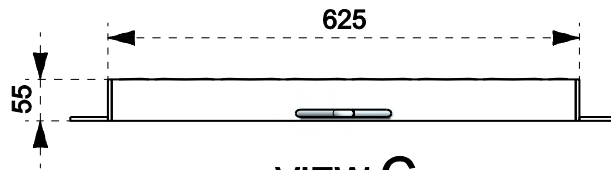
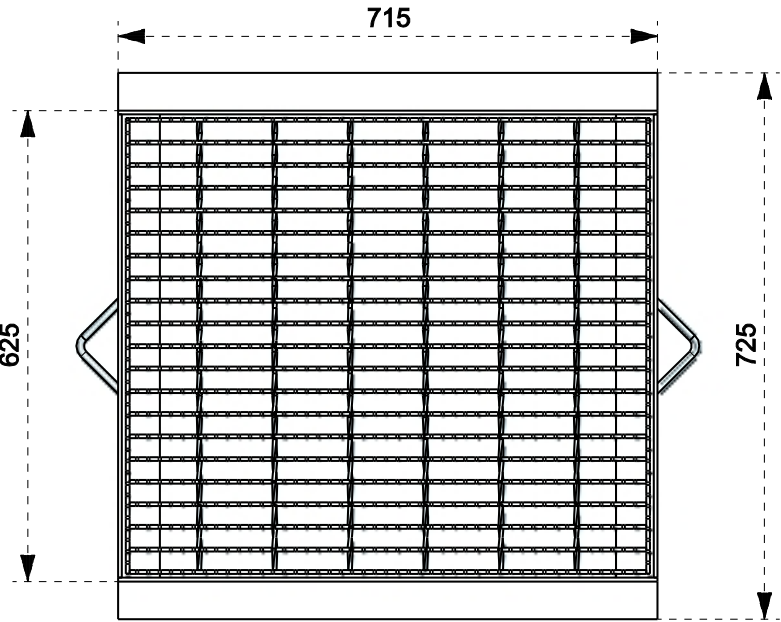


VIEW A



VIEW C



VIEW B

Information

No.	Property	Value	Notes
-----	----------	-------	-------

General Properties

1.1	Weight (kg)	41.3 +/- 1.5	Total weight of grate and frame.
1.2	Overall Frame Dimensions (mm)	715 x 625 x 55mm +/- 2mm	Excludes tag measurements. See sheet 3 for more details.
1.3	Overall Grate Dimensions (mm)	695 x 605 x 50mm +/- 2mm	
1.4	Material	Mild Steel	
1.5	Finish	Galvanised	

Design Load Rating Information

2.1	Class Rating (AS3996-2006)	B	Refer to AS3996-2006 Section 3.1
2.2	Ultimate Limit State Design Load (kN)	80	
2.3	Serviceability Limit State Design Load (kN)	53	
2.4	Nominal Wheel Loading (kg)	2670	



ROAD SAFETY GRATING
13 HEALEY RD
DANDENONG SOUTH, VIC 3175
PH: (03) 9238 5888
FAX: (03) 9238 5800
EMAIL: sales@grating.com.au
WEB: www.grating.com.au

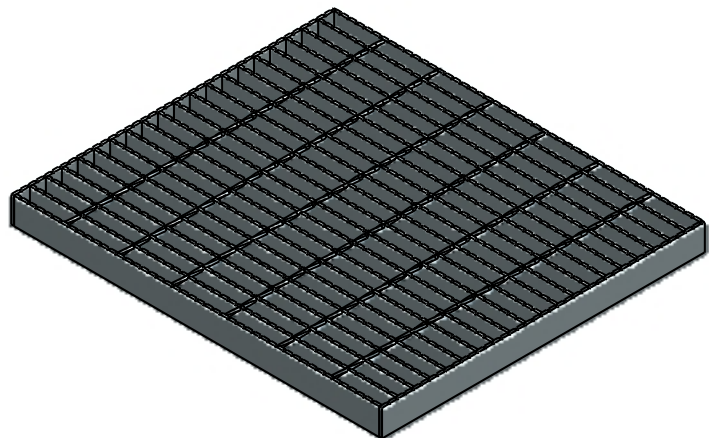
Attachments
a
b
c
d
e
f
g

Disclaimer
Drawings are provided in good faith and for use by the intended recipient only. Drawings remain the property of Straighmark Nominees Pty Ltd T/A Road Safety Grating (R&S). If this drawing has been received in error, or you are not the intended recipient, please delete it immediately and notify Road Safety Grating. Drawings are not to be transferred to a third party without written consent from Road Safety Grating. Road Safety Grating accepts no liability for misuse of, or reliance on, this drawing. If in doubt about any details on the drawing, please contact Road Safety Grating.

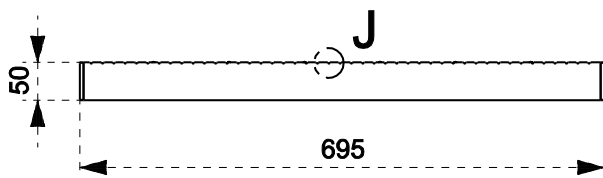
Revisions			
No.	Note/Description	Author	Date
1			
2			
3			
4			
5			
6			

Sheet No. 1 of 3			
Scale AS NOTED, ONLY VALID WHEN PRINTED ON A4			
Parts List	QTY	Part File Name	Part Weight (kg) Sheets
	1	ps_sg-m-msg-e6060g.prt	30.4 +/- 1.0 1, 2
1	ps_sg-m-msg-e6060f.prt	10.9 +/- 0.5 1, 3	

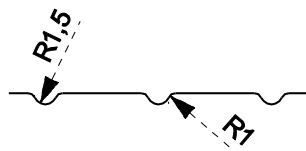
Title EGAL Sump Grate & Frame: 600x600mm P/S			
Subtitle Class B, 695x605x50mm Grate, Serrated			
Class Rating (AS3996 - 2006)	B	Primary Material	Galvanised MS
Drawing No.	ps_sg-m-msg-e6060	Assembly File	ps_sg-m-msg-e6060.prt
Version No.	1.0	Previous Versions	Nil
Designed	KH	Drawn	TH
Approved	SH		
Date	20/01/2012	Date	20/04/2012
		Date	20/04/2012



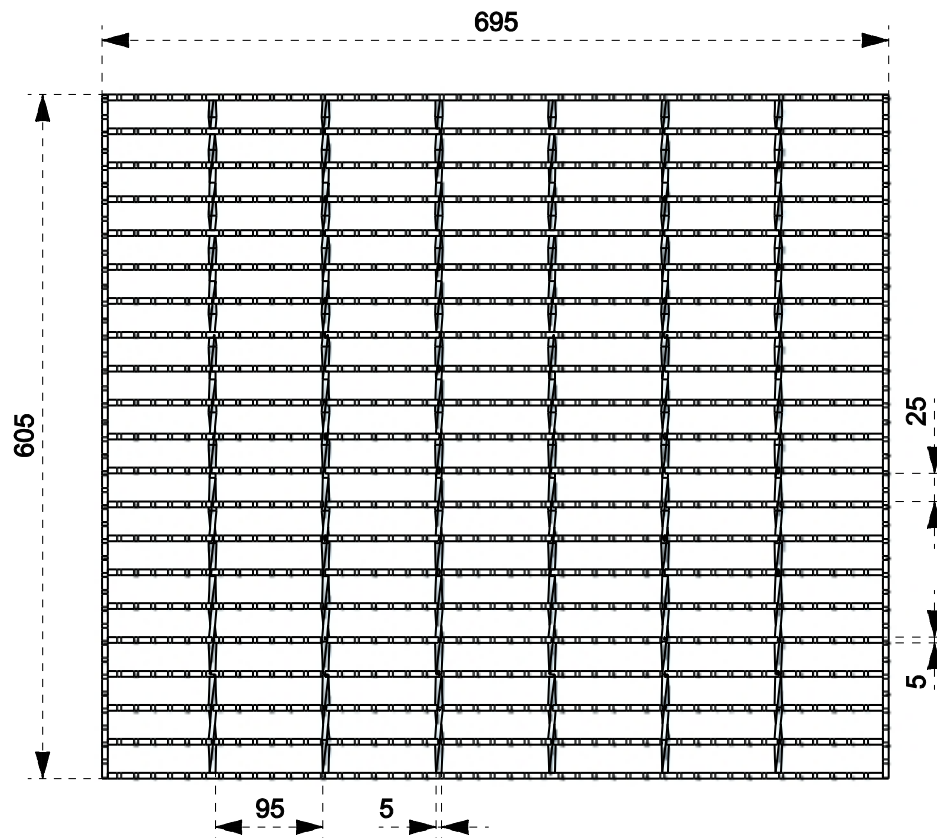
VIEW F



VIEW H



DETAIL J - SERRATION



VIEW G



ROAD SAFETY GRATING
13 HEALEY RD
DANDENONG SOUTH, VIC 3175
PH: (03) 9238 5888
FAX: (03) 9238 5800
EMAIL: sales@grating.com.au
WEB: www.grating.com.au

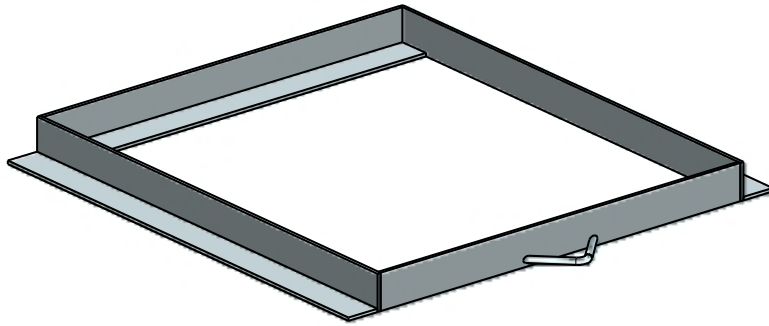
	Attachments
a	
b	
c	
d	
e	
f	
g	

Disclaimer
Drawings are provided in good faith and for use by the intended recipient only. Drawings remain the property of Straighmark Nominees Pty Ltd T/A Road Safety Grating (R&S). If this drawing has been received in error, or you are not the intended recipient, please delete it immediately and notify Road Safety Grating. Drawings are not to be transferred to a third party without written consent from Road Safety Grating. Road Safety Grating accepts no liability for misuse of, or reliance on, this drawing. If in doubt about any details on the drawing, please contact Road Safety Grating.

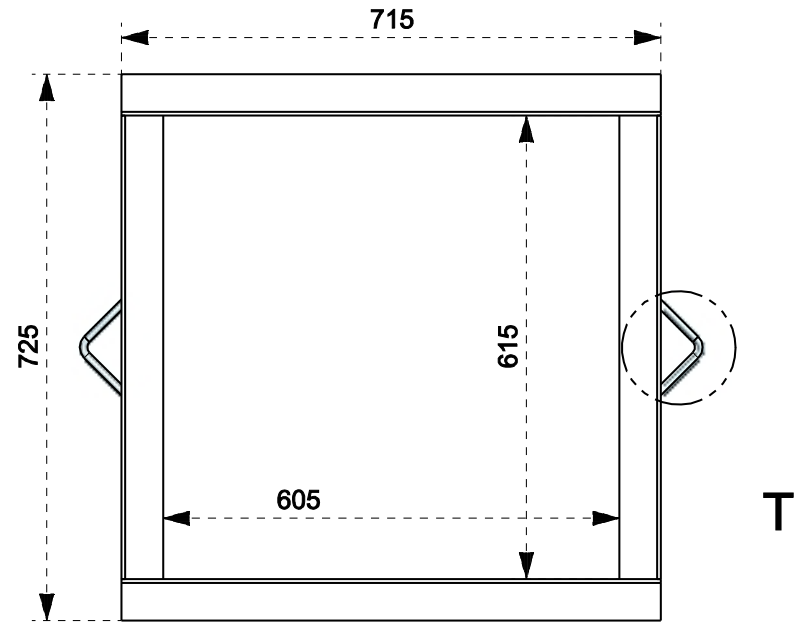
Revisions			
No.	Note/Description	Author	Date
1			
2			
3			
4			
5			
6			

Sheet No.		2 of 3	
Scale			
AS NOTED, ONLY VALID WHEN PRINTED ON A4			
QTY	Part File Name	Part Weight (kg)	Sheets
1	ps_sg-m-msg-e6060g.prt	30.4 +/- 1.0	1, 2
1	ps_sg-m-msg-e6060f.prt	10.9 +/- 0.5	1, 3

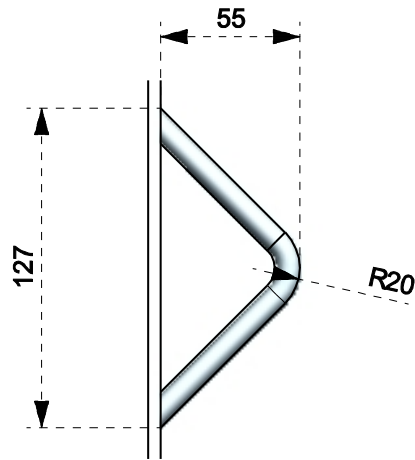
Title			
EGAL Sump Grate & Frame: 600x600mm P/S			
Subtitle			
Class B, 695x605x50mm Grate, Serrated			
Class Rating (AS3996 - 2006)	B	Primary Material	Galvanised MS
Drawing No.	ps_sg-m-msg-e6060	Assembly File	ps_sg-m-msg-e6060.prt
Version No.	1.0 <th>Previous Versions</th> <td>Nil</td>	Previous Versions	Nil
Designed	KH	Drawn	TH
Approved	SH	Date	20/04/2012
Date	20/01/2012	Date	20/04/2012
Date	20/04/2012	Date	20/04/2012



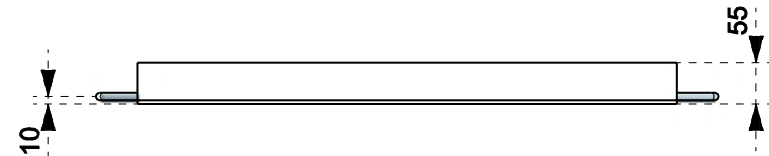
VIEW P



VIEW R



DETAIL T



VIEW S



ROAD SAFETY GRATING
13 HEALEY RD
DANDENONG SOUTH, VIC 3175
PH: (03) 9238 5888
FAX: (03) 9238 5800
EMAIL: sales@grating.com.au
WEB: www.grating.com.au

Attachments		Disclaimer	
a		<p>Drawings are provided in good faith and for use by the intended recipient only. Drawings remain the property of Straighmark Nominees Pty Ltd T/A Road Safety Grating (R&S). If this drawing has been received in error, or you are not the intended recipient, please delete it immediately and notify Road Safety Grating. Drawings are not to be transferred to a third party without written consent from Road Safety Grating. Road Safety Grating accepts no liability for misuse of, or reliance on, this drawing. If in doubt about any details on the drawing, please contact Road Safety Grating.</p>	
b			
c			
d			
e			
f			
g			

Revisions			
No.	Note/Description	Author	Date
1			
2			
3			
4			
5			
6			

Sheet No.		3 of 3	
Scale			
AS NOTED, ONLY VALID WHEN PRINTED ON A4			
QTY	Part File Name	Part Weight (kg)	Sheets
1	ps_sg-m-msg-e6060g.prt	30.4 +/- 1.0	1, 2
1	ps_sg-m-msg-e6060f.prt	10.9 +/- 0.5	1, 3

Title			
EGAL Sump Grate & Frame: 600x600mm P/S			
Subtitle			
Class B, 695x605x50mm Grate, Serrated			
Class Rating (AS3996 - 2006)	B	Primary Material	Galvanised MS
Drawing No.	ps_sg-m-msg-e6060	Assembly File	ps_sg-m-msg-e6060.prt
Version No.	1.0	Previous Versions	Nil
Designed	KH	Drawn	TH
Approved	SH		
Date	20/01/2012	Date	20/04/2012
Date		Date	20/04/2012