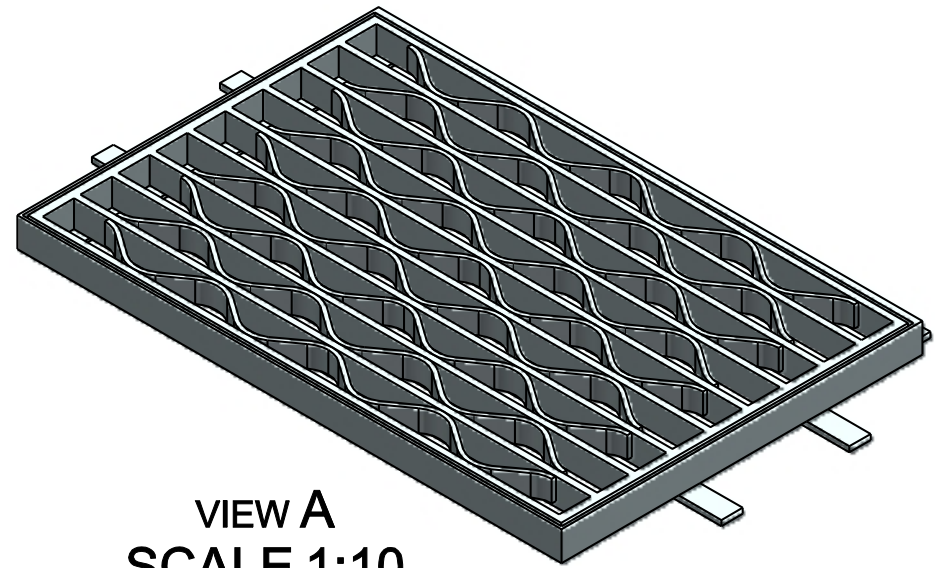
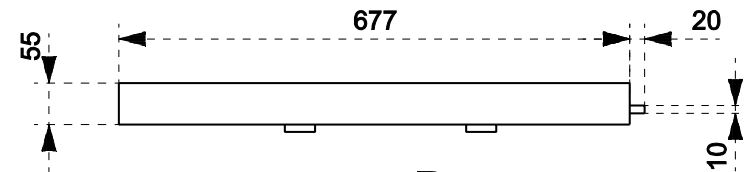


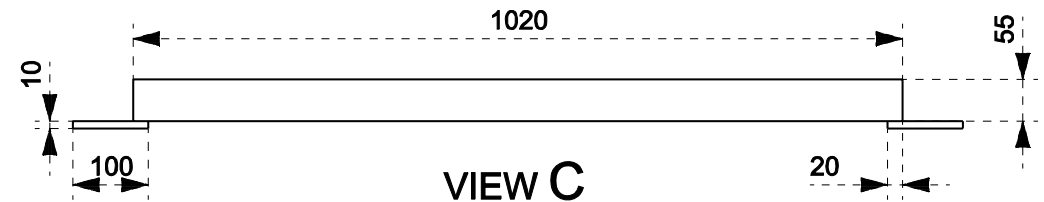
VIEW D



VIEW A
SCALE 1:10



VIEW B



VIEW C

Information

No.	Property	Value	Notes
-----	----------	-------	-------

General Properties

1.1	Weight (kg)	92.1 +/- 3.0	Combined grate and frame weight.
1.2	Overall Dimensions (mm) +/- 2mm	1000 x 650 x 50mm	Grate dimensions only. See sheet 3 for frame.
1.3	Material	Mild Steel	
1.4	Finish	Galvanised	

Design Load Rating Information

2.1	Class Rating (AS3996-2006)	C	Refer to AS3996-2006 Section 3.1
2.2	Ultimate Limit State Design Load (kN)	150	
2.3	Serviceability Limit State Design Load (kN)	100	
2.4	Nominal Wheel Loading (kg)	5000	

Attachments

a	
b	
c	
d	
e	
f	
g	

Disclaimer

Drawings are provided in good faith and for use by the intended recipient only. Drawings remain the property of Straighmark Nominees Pty Ltd T/A Road Safety Grating (R&S). If this drawing has been received in error, or you are not the intended recipient, please delete it immediately and notify Road Safety Grating. Drawings are not to be transferred to a third party without written consent from Road Safety Grating. Road Safety Grating accepts no liability for misuse of, or reliance on, this drawing. If in doubt about any details on the drawing, please contact Road Safety Grating.

Sheet Information

No.	Description
1	Grate & Frame Assembly Details
2	Grate Details
3	Frame Details
4	
5	
6	

Sheet No. 3 of 3

Scale			
AS NOTED, ONLY VALID WHEN PRINTED ON A4			
QTY	Part File Name	Part Weight (kg)	Sheets
1	ps_sg-m-msg-w9060sg.prt	75.0 +/- 2.0	1, 2
1	ps_sg-m-msg-w9060sf.prt	17.1 +/- 1.0	1, 3

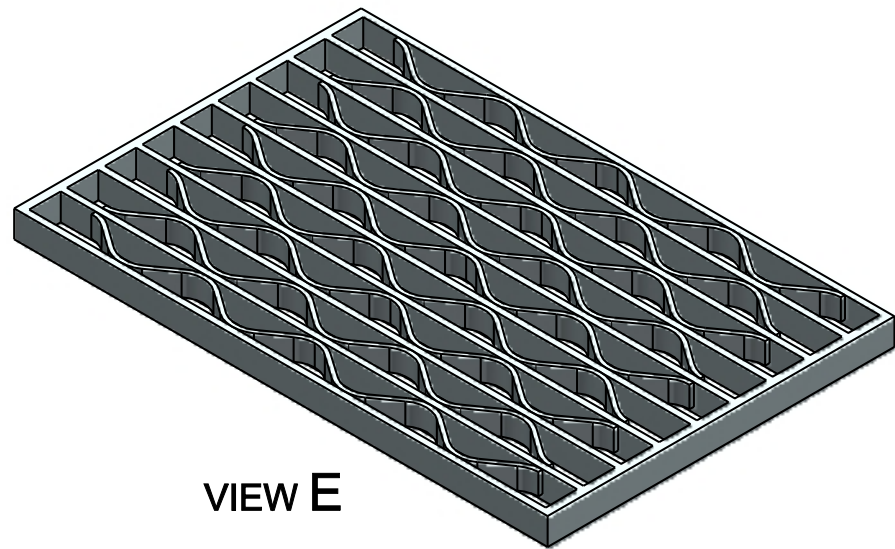
Title Side Entry Pit Weaved G&F: 900x600mm P/S

Subtitle Class C, 1000x650x50mm Grate			
Class Rating (AS3996 - 2006) C		Product Code sg-m-msg-w9060e	
Drawing No. ps_sg-m-msg-w9060e		Primary Material Galvanised MS	
Version No. 1.1		Previous Versions 1.0	
Designed	Existing	Drawn	TH
Date	N/A	Date	26/04/2012
Approved	SH	Date	26/04/2012

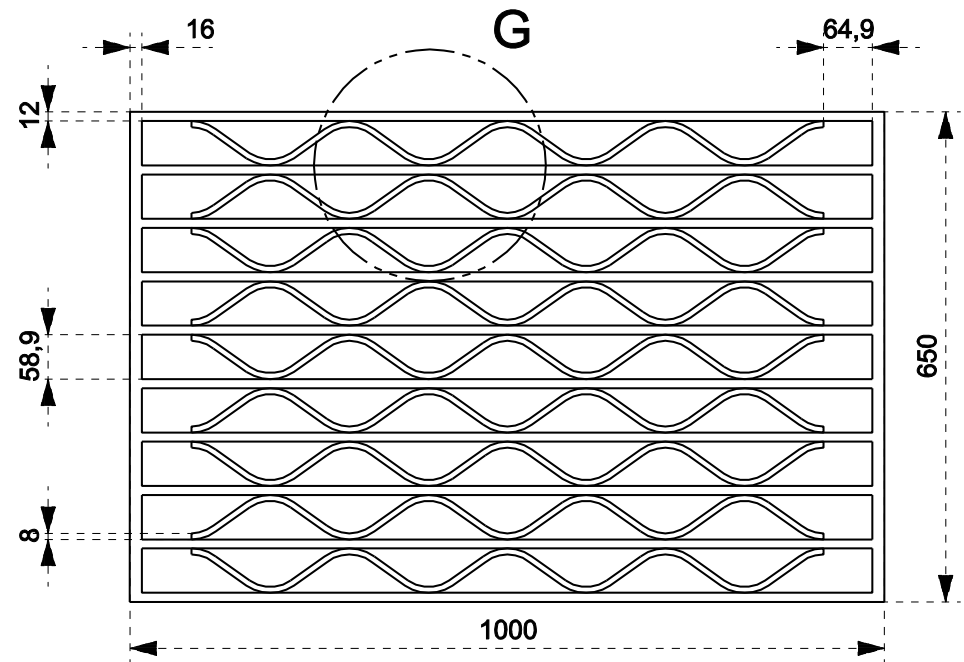


ROAD SAFETY GRATING
13 HEALEY RD
DANDENONG SOUTH, VIC 3175

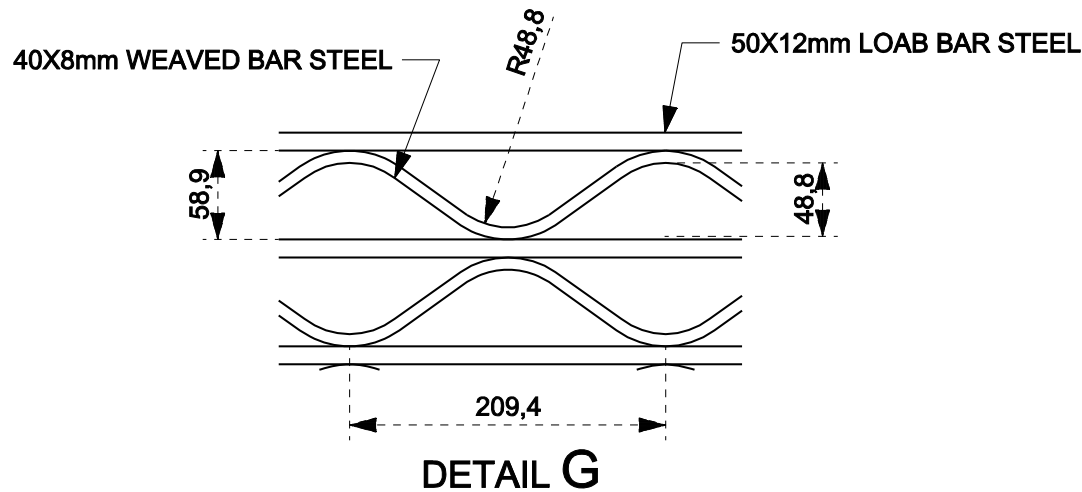
PH: (03) 9238 5888
FAX: (03) 9238 5800
EMAIL: sales@grating.com.au
WEB: www.grating.com.au



VIEW E



VIEW F



DETAIL G



ROAD SAFETY GRATING
13 HEALEY RD
DANDENONG SOUTH, VIC 3175
PH: (03) 9238 5888
FAX: (03) 9238 5800
EMAIL: sales@grating.com.au
WEB: www.grating.com.au

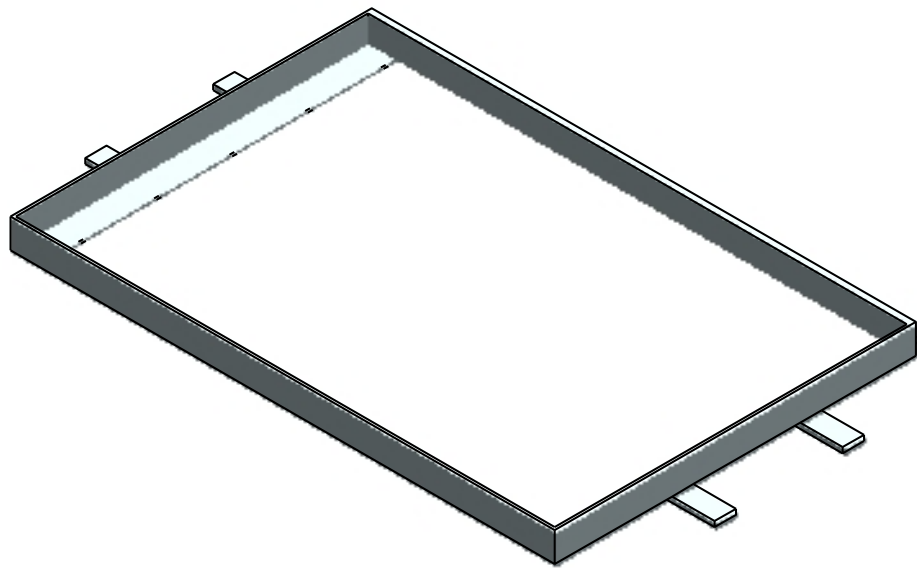
Attachments	
a	
b	
c	
d	
e	
f	
g	

Disclaimer
Drawings are provided in good faith and for use by the intended recipient only. Drawings remain the property of Straighmark Nominees Pty Ltd T/A Road Safety Grating (R&S). If this drawing has been received in error, or you are not the intended recipient, please delete it immediately and notify Road Safety Grating. Drawings are not to be transferred to a third party without written consent from Road Safety Grating. Road Safety Grating accepts no liability for misuse of, or reliance on, this drawing. If in doubt about any details on the drawing, please contact Road Safety Grating.

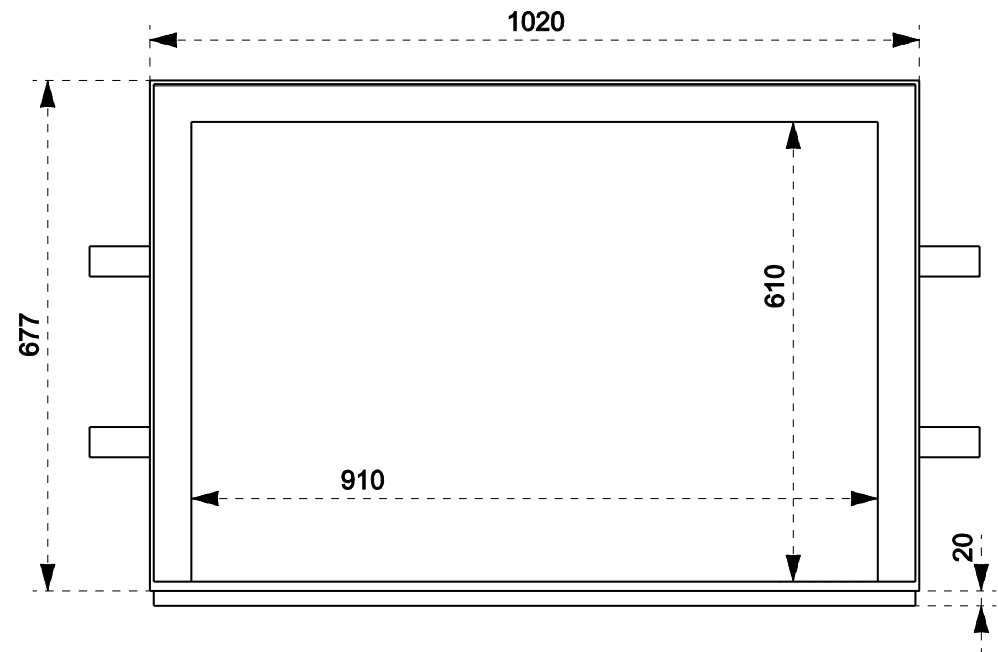
Sheet Information	
No.	Description
1	Grate & Frame Assembly Details
2	Grate Details
3	Frame Details
4	
5	
6	

Sheet No.		2 of 3	
Scale			
AS NOTED, ONLY VALID WHEN PRINTED ON A4			
Parts List	QTY	Part File Name	Part Weight (kg) Sheets
	1	ps_sg-m-msg-w9060sg.prt	75.0 +/- 2.0 1, 2
1	ps_sg-m-msg-w9060sf.prt	17.1 +/- 1.0 1, 3	

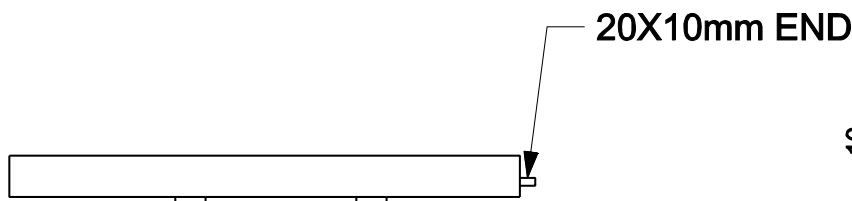
Title			
Side Entry Pit Weaved G&F: 900x600mm P/S			
Subtitle Class C, 1000x650x50mm Grate			
Class Rating (AS3996 - 2006) C		Product Code sg-m-msg-w9060s	
Drawing No. ps_sg-m-msg-w9060s		Primary Material Galvanised MS	
Version No. 1.1		Previous Versions 1.0	
Designed	Existing	Drawn	TH
Date	N/A	Date	-26/04/2012-
		Approved	SH
		Date	-26/04/2012-



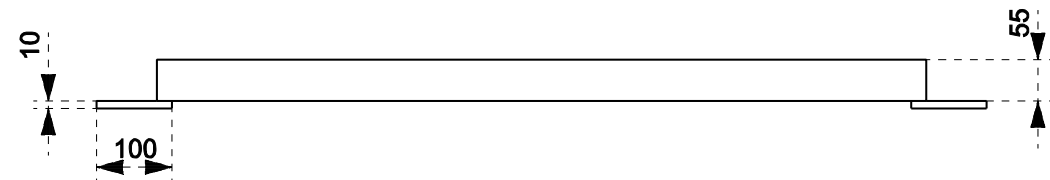
VIEW H



VIEW J



VIEW L



VIEW K



ROAD SAFETY GRATING
13 HEALEY RD
DANDENONG SOUTH, VIC 3175

PH: (03) 9238 5888
FAX: (03) 9238 5800
EMAIL: sales@grating.com.au
WEB: www.grating.com.au

Attachments	
a	
b	
c	
d	
e	
f	
g	

Disclaimer
Drawings are provided in good faith and for use by the intended recipient only. Drawings remain the property of Straighmark Nominees Pty Ltd T/A Road Safety Grating (R&S). If this drawing has been received in error, or you are not the intended recipient, please delete it immediately and notify Road Safety Grating. Drawings are not to be transferred to a third party without written consent from Road Safety Grating. Road Safety Grating accepts no liability for misuse of, or reliance on, this drawing. If in doubt about any details on the drawing, please contact Road Safety Grating.

Sheet Information	
No.	Description
1	Grate & Frame Assembly Details
2	Grate Details
3	Frame Details
4	
5	
6	

Sheet No.		1 of 3	
Scale			
AS NOTED, ONLY VALID WHEN PRINTED ON A4			
Parts List	QTY	Part File Name	Part Weight (kg) Sheets
	1	ps_sg-m-msg-w9060sf.prt	75.0 +/- 2.0 1, 2
1	ps_sg-m-msg-w9060sf.prt	17.1 +/- 1.0 1, 3	

Title			
Side Entry Pit Weaved G&F: 900x600mm P/S			
Subtitle			
Class C, 1000x650x50mm Grate			
Class Rating (AS3996 - 2006)		Product Code	
C		sg-m-msg-w9060e	
Drawing No.		Primary Material	
ps_sg-m-msg-w9060e		Galvanised MS	
Version No.		Previous Versions	
1.1		1.0	
Designed	Existing	Drawn	Approved
		TH	SH
Date	N/A	Date	- 26/04/2012 -
		Date	- 26/04/2012 -